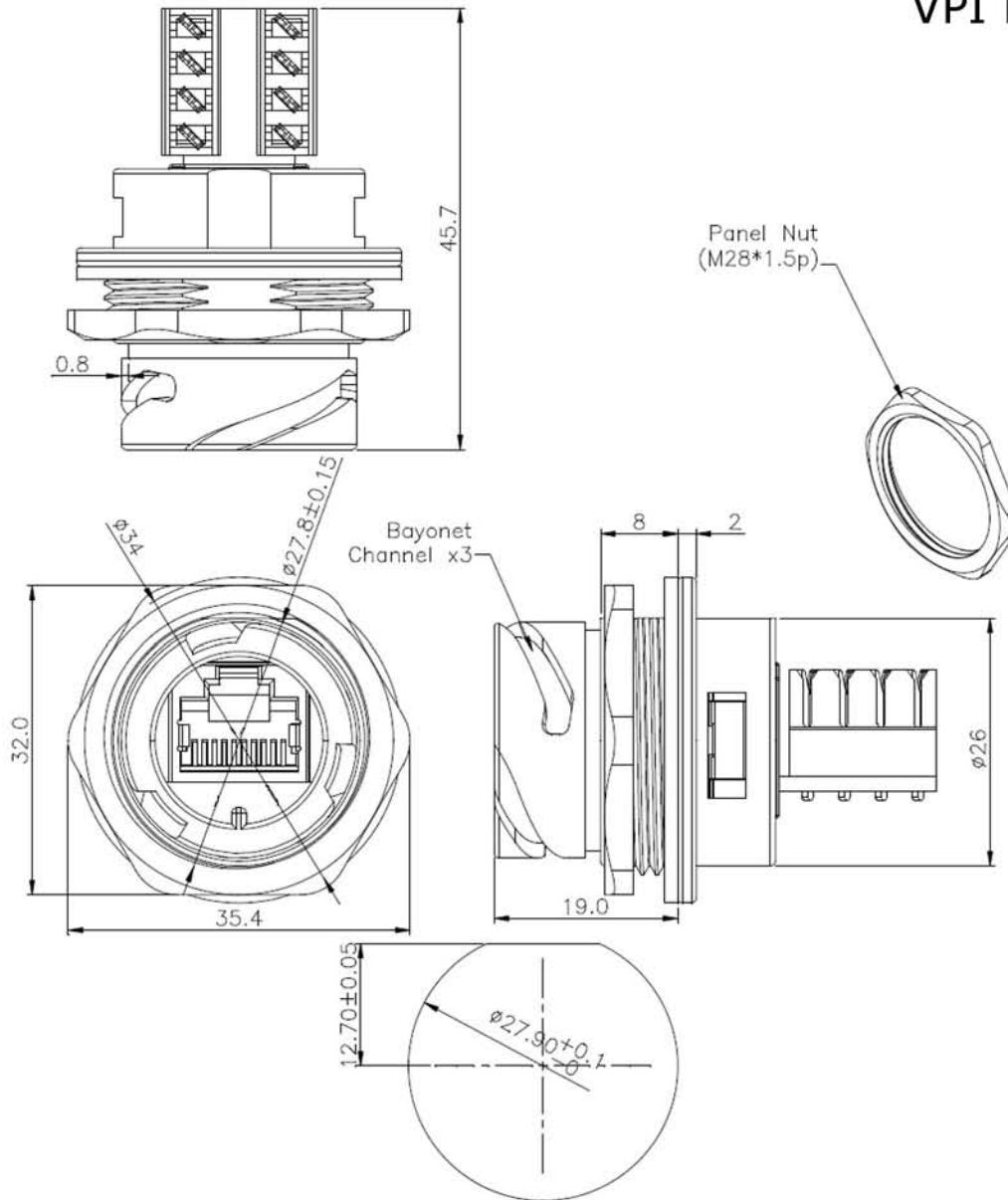


VPI P/N: RJ45-5EWTP-QR-IDCJCK-SHLDM



Electrical Specifications:

Meets EIA/TIA-568-B.2 Cat.5e Specification
 Contact Resistance: 20 mOhm max
 Insulation Resistance: 500 MOhm min @100V DC
 Current Rating: 1.5A max
 Voltage Rating: 100VDC
 DWV: 1000V DC/60s min Contact to Contact, 1500V DC/60s
 Contact to Metal Shell
 Operating Temperature: 0°C TO + 70°C

Material and Finish

Receptacle Housing: Zn Alloy 3,Nickel Plated
 Panel Nut: Copper Alloy,Nickel Plated
 Panel Gasket: Silicone
 RJ45 Jack Metal Shell: Copper Alloy,Nickel Plated
 RJ45 Jack Plastic Housing:Engineering Thermoplastic Flammability
 Rating UL94 V-0
 RJ45 Jack Contact: Phosphor Bronze,finish:Gold over Nickel
 Color: Black
 Connector can be front mounted to a maximum panel thickness
 of 3.2mm.

UNIT: millimeters

Panel Cut-Out

RoHS COMPLIANT

VPI VIDEO
 PRODUCTS
 INCORPORATED

1275 Danner Drive Aurora, Ohio 44202
 Tel: 330-562-2622 Fax: 330-562-1999
www.vpi.us