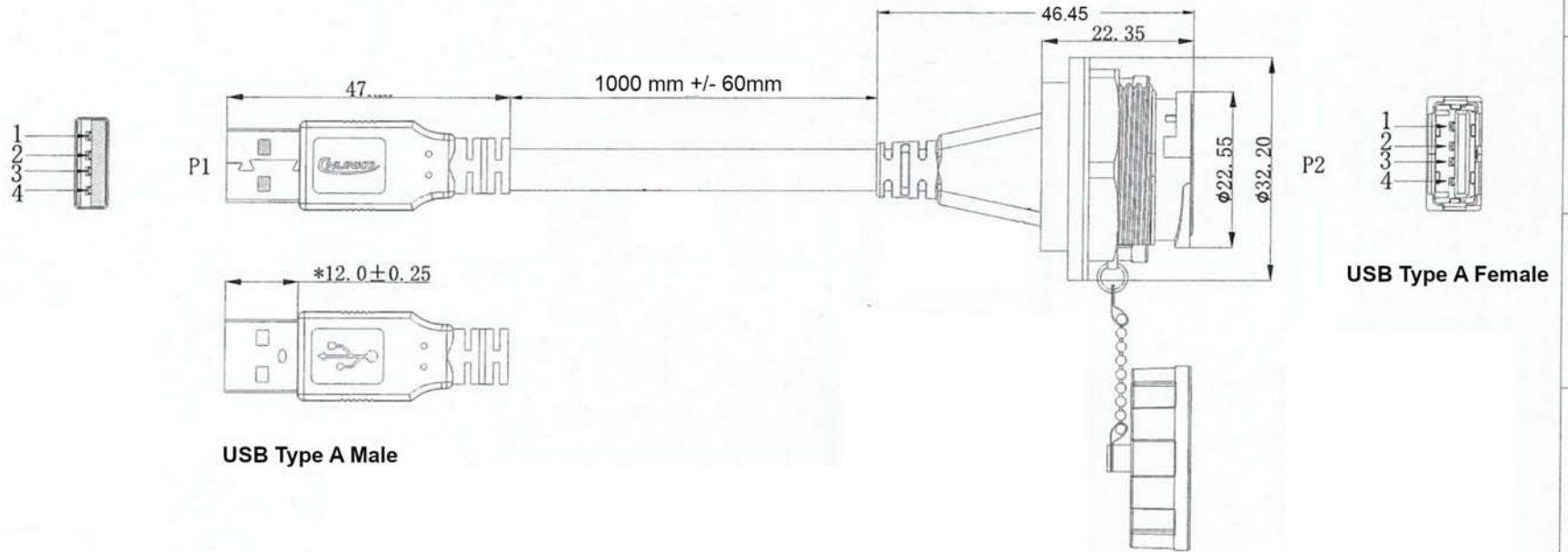


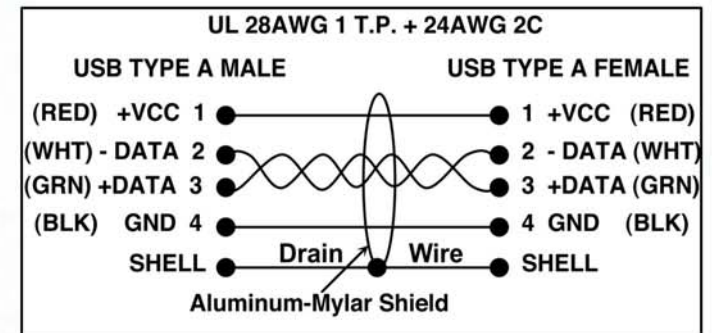
SLE

VPI P/N: USB2A-WTP-QRFSM-1M



UNITS: Millimeters

SPECIFICATIONS	
Connections	USB 2.0 Type A Male to USB Type A Female
Current Rating	2A (Max.)
Dielectric Withstand Voltage	100VAC
Insulation Resistance	>10MΩ
Protection Level	IP67
Temperature Rating	-40°C to 85°C
Shell Material	PBT
Cable Description	UL2725 USB2.0 28AWG*1PR+ 24AWG*2C +AL+D(7/0.12BC) +B(16/6/0.10TC), Ø4.5MM, PVC JACKET, RoHS2.0/REACH COMPLIANT



VIDEO  
PRODUCTS  
INCORPORATED

1275 Danner Drive Aurora, Ohio 44202  
Tel: 330-562-2622 Fax: 330-562-1999  
www.vpi.us