

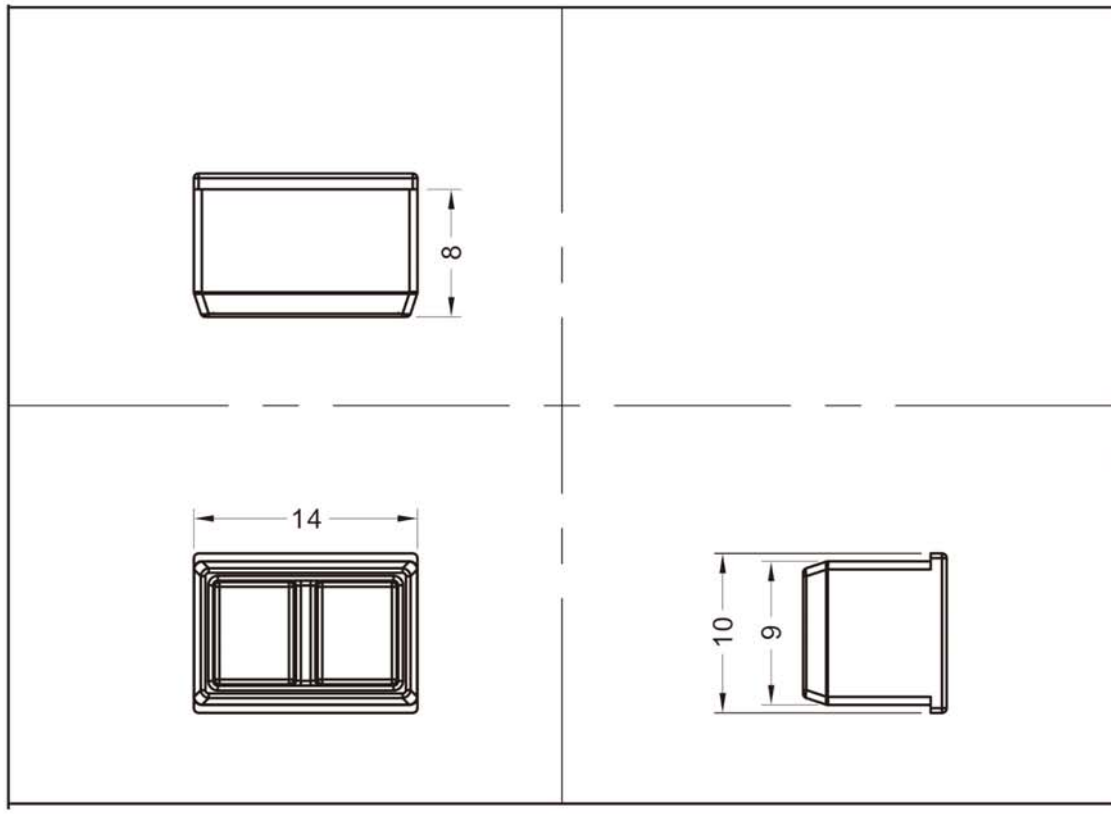


**PART NO: CVR-SFP-F**

- ◆ **MATERIAL: PE**
- ◆ **COLOR: BLACK**
- ◆ **TYPE: DUST COVER**
- ◆ **UNIT: mm**



**DIMENSIONS:**



**VIDEO  
PRODUCTS  
INCORPORATED**

1275 Danner Drive Aurora, Ohio 44202  
Tel: 330-562-2622 Fax: 330-562-1999  
www.vpi.us