

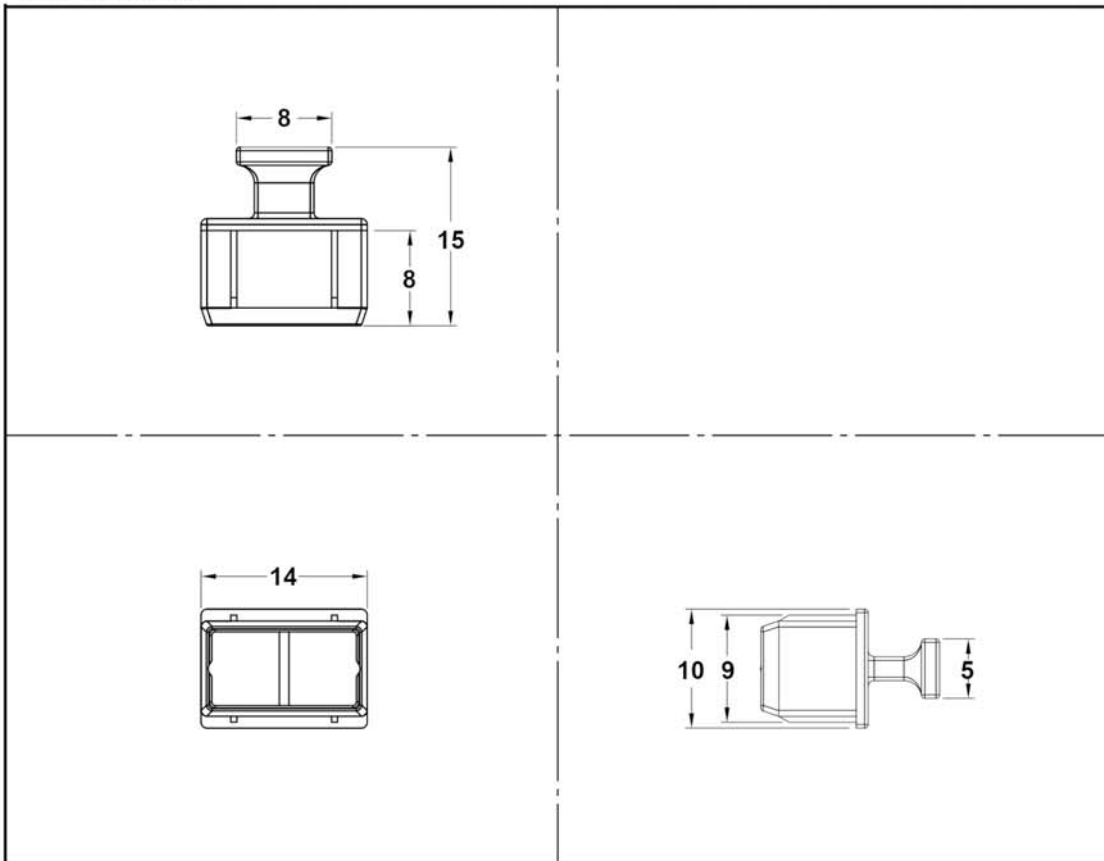


PART NO: CVR-SFP

- ◆ MATERIAL: PE
- ◆ COLOR: BLACK
- ◆ TYPE: DUST COVER
- ◆ UNIT: mm



DIMENSIONS:



**VIDEO
PRODUCTS
INCORPORATED**

1275 Danner Drive Aurora, Ohio 44202
Tel: 330-562-2622 Fax: 330-562-1999
www.vpi.us