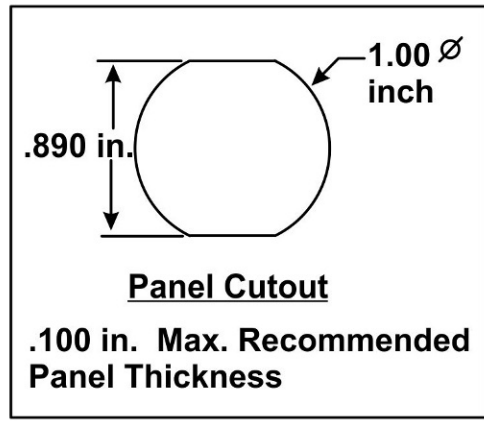
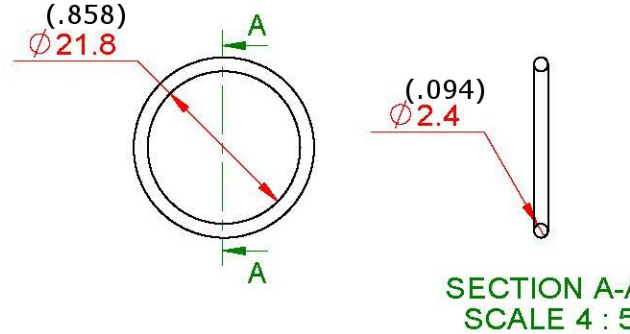
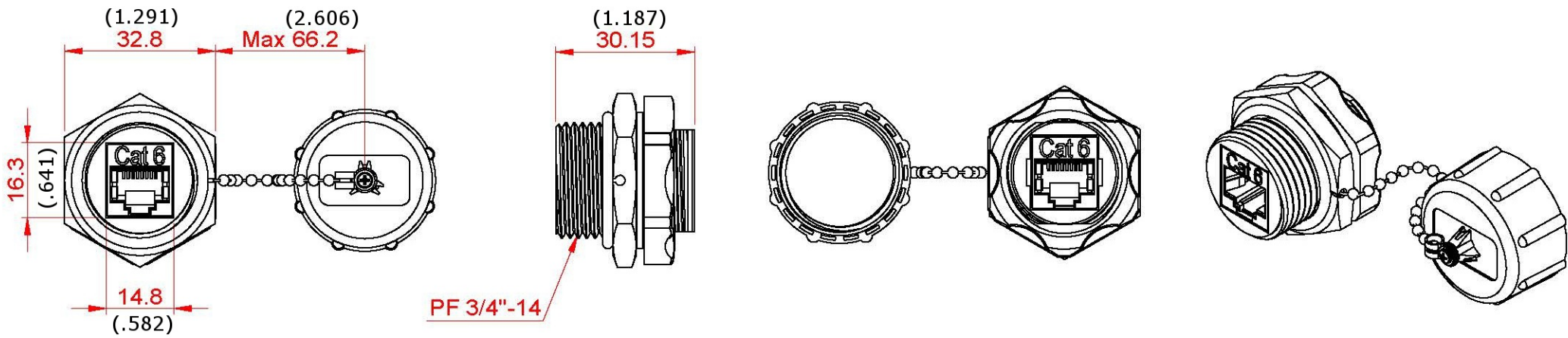


VPI P/N: RJ45-6WTP-CS-JCK



MATERIAL

MAIN BODY : PBT+GF,UL94V-0.
 SHIELDED CASE : BRASS,NICKEL PLATED.
 COUPLER HOUSING : ABS,UL94V-0.
 JACK CONTACTS : PHOSPHOR BRONZE,50U" GOLD PLATED.
 O-RING : NBR RUBBER (-2°C TO 70°C)

PHYSICAL CHARACTERISTICS

INSERTION LIFE : 750 MATING CYCLES WITH FCC COMPLIANT 8P PLUG.
 CONTACT FORCE : 100 GRAMS WITH FCC COMPLIANT 8P PLUG.
 PLUG RETENTION FORCE : 11 LBF MIN.
 OPERATING TEMPERATURE RANGE : -10°C TO 60°C.
 STORAGE TEMPERATURE RANGE : -40°C TO 68°C.
 HUMIDITY : 10%~90%RH.

ELECTRICAL

INSULATION RESISTANCE : 500 M Ω .
 DIELECTRIC WITHSTANDING VOLTAGE : 1000 V AC.
 DC CURRENT RATING : 1.5 Amps.
 DC RESISTANCE : 0.1 Ω .
 CONTACT RESISTANCE : 20m Ω .

UNITS: Millimeter (Inch)