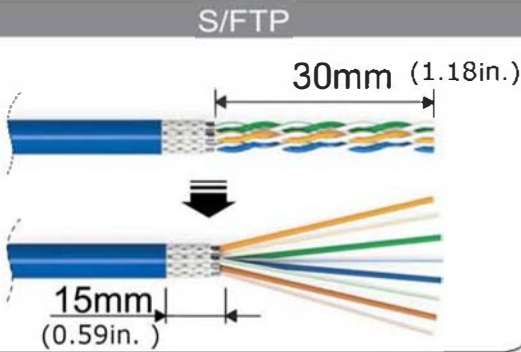
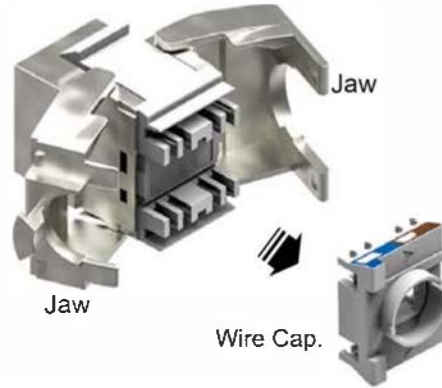


# JCK-8-TL Installation Instruction

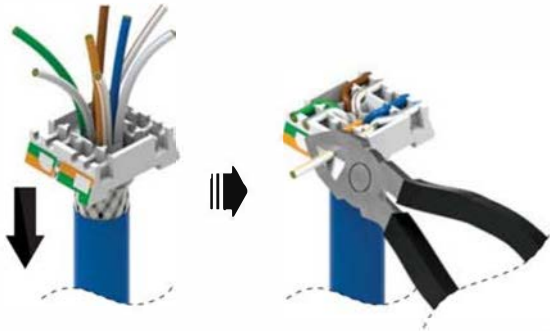
- 1** Remove about 45mm of the cable sheath. Remove about 30mm of the braid and foil and untwist the wires. Keep about 15mm of the braid and foil exposed.



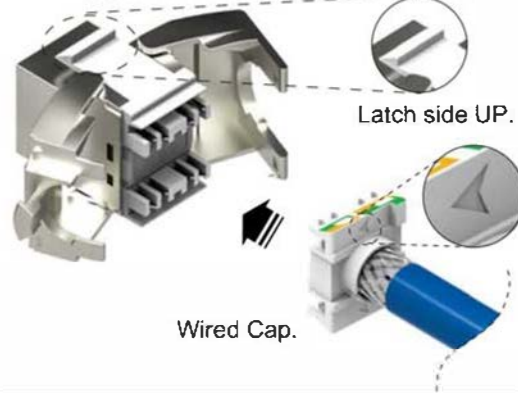
- 2** Open the jaws and release the Wire Cap.



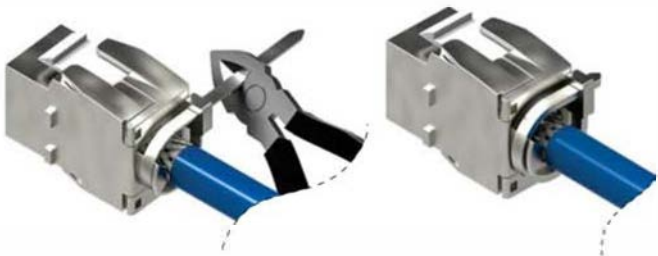
- 3** Insert the cable end through the cap. Seat each color coded wire in to the matching color coded cap position. Use a wire-cutter to trim off excess wire.



- 4** Make sure the Wire Cap lines up with the Latch (shown below) and then cover the Cap with both jaws.



- 5** Thread the supplied cable tie through and then secure the braided shield by tightening it up & cut the cable tie.



## Disconnection

1. Cut the cable tie.



2. Insert a flat screw driver to unlock.



VIDEO  
PRODUCTS  
INCORPORATED

1275 Danner Drive Aurora, Ohio 44202  
Tel: 330-562-2622 Fax: 330-562-1999  
www.vpi.us

REV 8/23/21