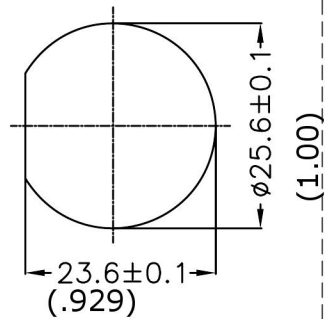
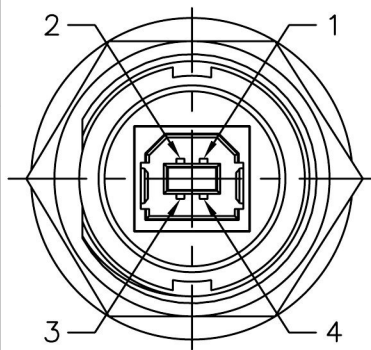


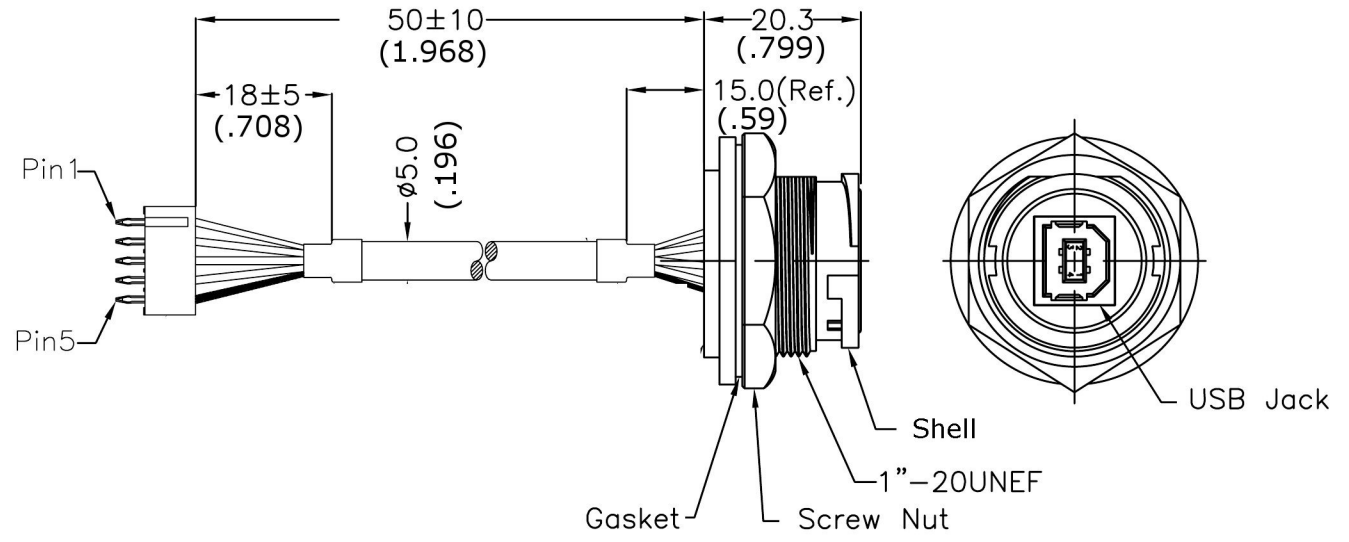
PCB Layout



Recommended Panel Cut-Out



| | | | |
|---------|-------------|--------|-------|
| 5 | Drain | Shield | |
| 4 | Black 24AWG | 4 | Twist |
| 3 | Green 28AWG | 3 | |
| 2 | White 28AWG | 2 | |
| 1 | Red 24AWG | 1 | |
| Housing | Wire Color | Conn. | |
| | Pin Out | | |



Note:

- * Waterproof Rate: IP67
- * Shell : Nylon+GF,Black
- * USB Jack: USB B,Female Dip
- * Panel Nut: Nylon+GF,Black
- * Gasket: EPDM, Black
- * Housing: Nylon,PH=2.50mm
- * Terminal: Phosphor bronze, Tin-plated
- * Cable: 1P*28#+2C*24#+AL+MY+D+B,OD=5.0mm
- * Use with waterproof cap or dust cap
For Panel Thickness Max: 2.8mm
- * Use without waterproof cap or dust cap
For Panel Thickness Max: 4.0mm

UNIT:mm (INCH)

| | |
|-----------|-------|
| TOLERANCE | |
| .X | ±0.25 |
| .XX | ±0.1 |
| .XXX | ±0.05 |
| ANGLES | ±1° |



VIDEO PRODUCTS INCORPORATED

1275 Danner Drive Aurora, Ohio 44202
Tel: 330-562-2622 Fax: 330-562-1999
www.vpi.us