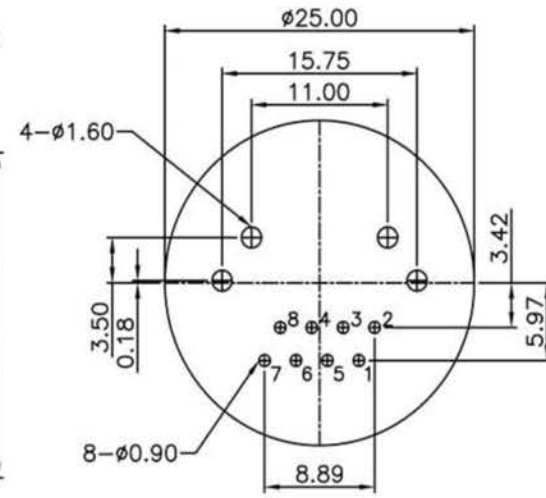
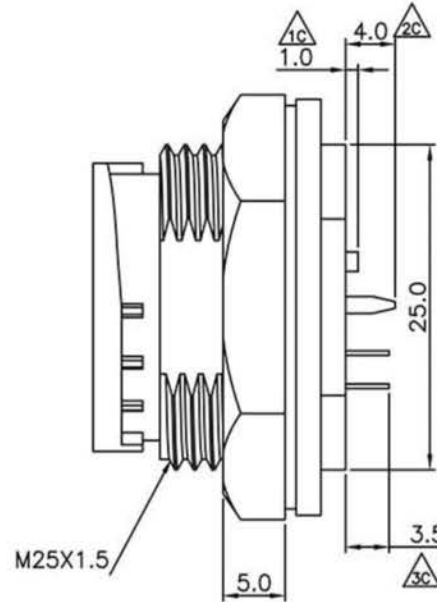
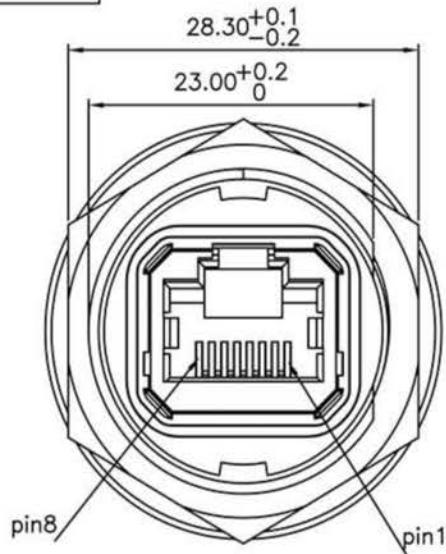


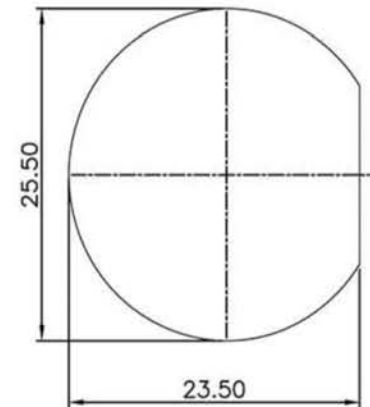
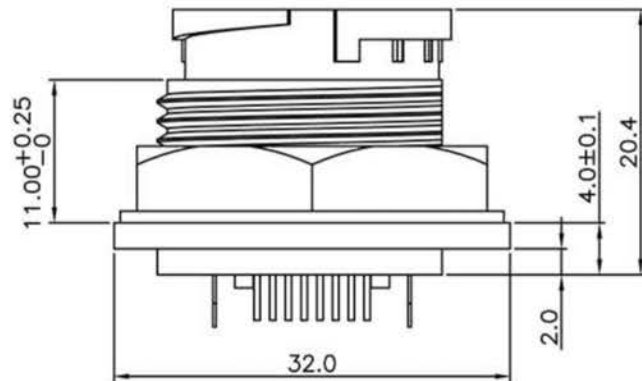
RoHS COMPLIANT

Part #: RJ45-5EWTP-QR-CSPCB



PCB LAYOUT/TOP VIEW

UNITS: Millimeters



Panel Cut-Out

**MATERIALS:**

PLASTIC HOUSING: HIGH TEMP. THERMOPLASTIC  
FLAMMABILITY RATING UL 94V-0.

CONTACTS: PHOSPHOR BRONZE

PLATING: GOLD PLATING OVER NICKEL IN CONTACT.  
TIN PLATING OVER NICKEL IN SOLDER AREA.

SHIELDED: BRASS WITH NICKEL PLATED

Nut: ENGINEERING THERMOPLASTIC FLAMMABILITY RATING UL 94V-0.

Gasket: EPDM



1275 Danner Drive Aurora, Ohio 44202  
Tel: 1-800-626-7801 Fax: 330-562-1999  
www.vpi.us sales@vpi.us