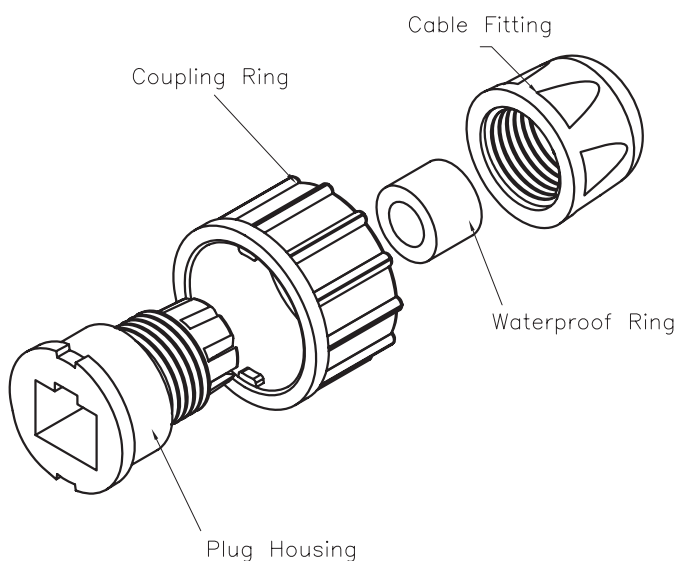
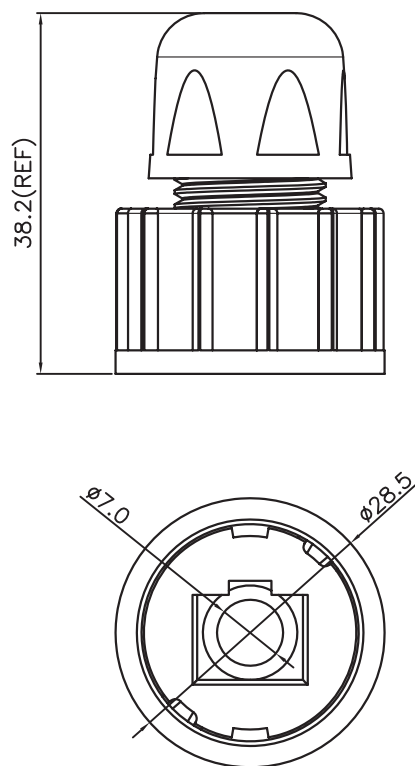


VPI P/N: RJ45-5EWTP-QR-CB



UNITS: Millimeters

RoHS Compliant

Materials

- **Coupling Ring** : Engineering Thermoplastic.
Flammability Rating UL 94V-0.
- **Plug Housing** : Engineering Thermoplastic.
Flammability Rating UL 94V-0.
- **Cable Fitting** : Engineering Thermoplastic.
Flammability Rating UL 94V-0.
- **O-ring** : Silicone.
- **Waterproof Ring** : Silicone.
- **Applicable Ethernet Cable Diameter Range** : Ø5.5~Ø7.0



VPI VIDEO
PRODUCTS
INCORPORATED
1275 Danner Drive Aurora, Ohio 44202
Tel: 330-562-2622 Fax: 330-562-1999
www.vpi.us sales@vpi.us