



VIDEO
PRODUCTS
INCORPORATED

1275 Danner Drive Aurora, Ohio 44202
Tel: 330-562-2622 Fax: 330-562-1999
www.vpi.us

KEEMUX-DPUSB-2

8K DisplayPort USB KVM 2X1 SWITCH

USER MANUAL



Introduction

The 8K DisplayPort USB KVM Switch allows a user to control two Ultra-HD 8K 4320p 30Hz DisplayPort USB computers with one USB keyboard, USB mouse, and 8K DisplayPort monitor. The device is simple and convenient to install, just plug the cable into its corresponding port. No software configuration is required.

Note: When switching between computers, the screen layout will not be as you left it – all open windows will be pushed to the top left corner of the display.

Features

- Supports resolutions up to Ultra-HD 8K (7680x4320) @30Hz, 4Kx2K (3840x2160) @60Hz, and HDTV 1080p @144Hz.
- Control the switch through the front panel button or remote switch button.
 - Remote switch button on integrated 6.56-foot cable included.
- DisplayPort features supported:
 - DisplayPort 1.4
 - Multi-Stream Transport (MST)
 - Up to 30-bit Deep Color
 - RGB, YCbCr 4:4:4, YCbCr 4:2:2
 - Dolby TrueHD, DTS-HD Master, stereo audio.
 - Bandwidth up to 32.4 Gbps
- HDCP compliant.
- Supports USB-enabled computers with Windows OS and DisplayPort video.
- MST support allows multiple DisplayPort monitors to be connected together from one monitor port on the switch.
 - Resolution dependent on number of daisy-chained monitors – cannot exceed 32.4Gbps.
 - Requires DisplayPort 1.2 or 1.4 compliant PC. (MACs not supported)
- Four transparent USB 2.0 ports for connecting USB devices such as keyboards, mice, printers, game controllers, USB flash drives, touch screen monitors, whiteboards, etc.
 - Supports high-speed (480 Mbps), full-speed (12 Mbps), or low-speed (1.5 Mbps) USB devices.
 - Backwards compatible with USB 1.1/1.0.
- EDID pass-through supported.

Materials Included with this kit:

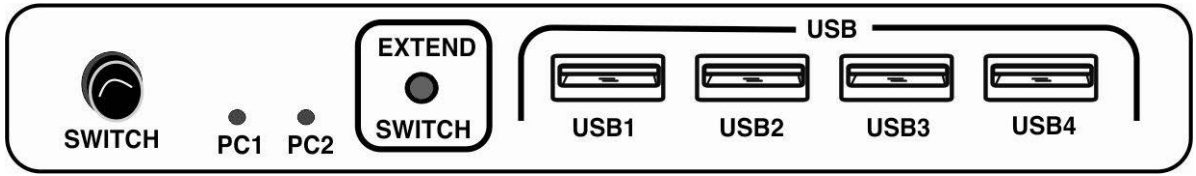
- 8K DisplayPort KVM 2x1 Switcher
- 110 or 220V@50/60Hz; 5VDC, 3A Adapter
- Country-specific power cord
- 2 x 55 Inch USB Cable (1400mm)
- Switching Button with cable
- URL Slip with path to this manual

Materials NOT supplied but required:

DP-xx-MM DisplayPort 1.2 Male-to-Male cable- 3, 6,10 and 15 foot cables available

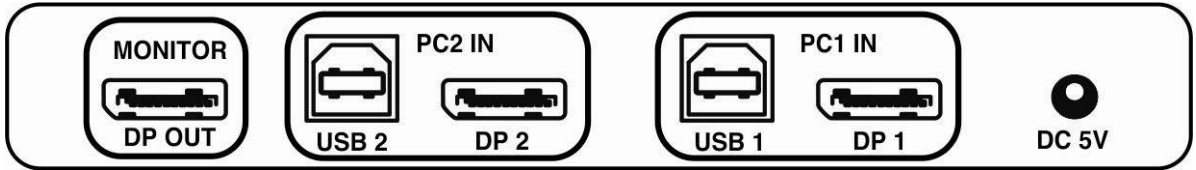
Features and Functions

Front View



Port name	Description
SWITCH	PC1, PC2 channel switch button
PC1	PC1 IN group DisplayPort and USB 2.0 channel selection indicator
PC2	PC2 IN group DisplayPort and USB 2.0 channel selection indicator
SWITCH-EXTEND	PC1, PC2 channel switching button extension cable connector
USB 1/2/3/4	USB 2.0 device connectors

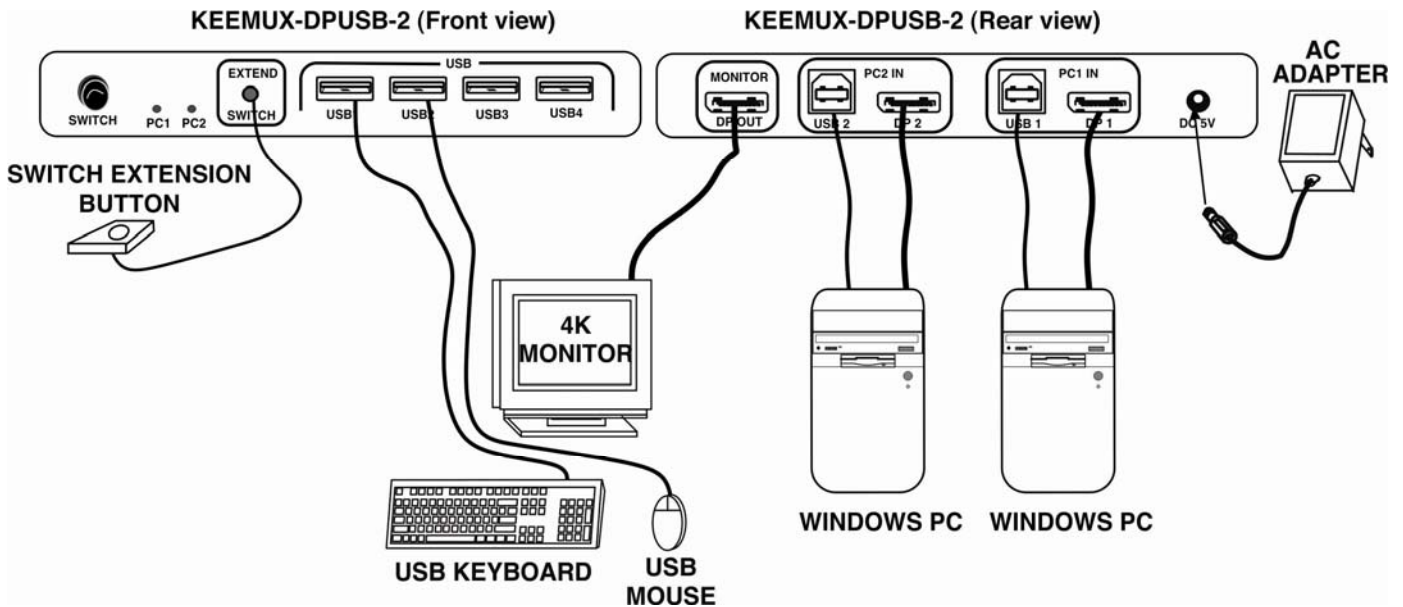
Rear View



Port name	Description
DP OUT	DisplayPort video output signal
PC2 IN	PC2 group DisplayPort USB 2.0 input
PC1 IN	PC1 group DisplayPort USB 2.0 input
DC 5V	5V3A power supply input port

Installation

1. Power OFF the KEEMUX, DisplayPort monitor, and each host.
2. Connect the USB keyboard and USB mouse to a USB 2.0 port on the KEEMUX that is identified as "USB1-USB4".
3. Plug the DisplayPort monitor into the port labeled "Monitor" on the KEEMUX and power ON the monitor.
4. Connect the "DPx" port on the KEEMUX to the host DisplayPort port with a DisplayPort cable (not supplied).
5. Connect the USB 2.0 port on the KEEMUX to the host USB port with a USB cable(supplied).
6. Connect the switching button with cable to the "SWITCH-EXTEND" port.
7. Turn ON each host.
8. Connect power to the KEEMUX to power it ON.

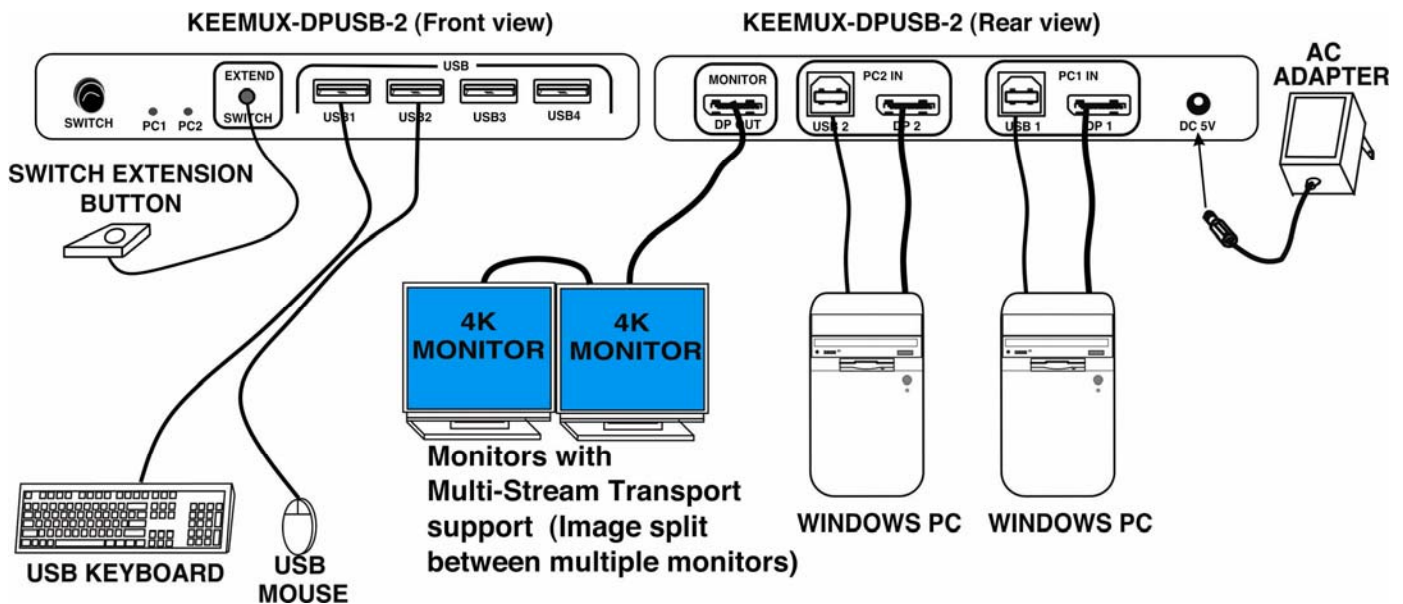


The DP output port of the switch supports MST (Multi-Stream Transport), which means two or more DisplayPort monitors can be daisy-chained, provided:

1. that the monitor connected to the KEEMUX supports MST
2. any other monitors in the chain support MST(except the last one)
3. each connected monitor has an extra DP output port for daisy-chaining (except the last one)
4. and each connected monitor supports DP 1.2 (except the last monitor requires only DP 1.0 or 1.1)

The EDID of all monitors will be recognized. The user can extend the desktop across multiple screens.

Note: When switching between computers, the screen layout will not be as you left it – all open windows will be pushed to the top left corner of the display.



More than two monitors can be daisy-chained as shown in the chart below.

RESOLUTION	NUMBER OF MONITORS THAT CAN BE CONNECTED
1680X1050@60Hz	5
1920X1080@60Hz	4
2560X1600@60Hz	2
3840X2160@30Hz	2
3840X2160@60Hz	1

Monitors in the chain can also have different resolutions, provided the total bandwidth does not exceed 21.6Gbps.

Switching

There are two ways to switch between user connection to PC1 and PC2:

1. Switch through the button on the front panel.
2. Press the button on the extension cable

Button switching

Using the panel button, switch connection from the user to one of the two hosts

Extension Button switching

Press the button at the end of the extension cable to switch between PC1 and PC2.

LED Indication

When switching to a port, the LED corresponding to the connected port is illuminated.

Specifications

	Parameter	Description
Video	Standards	VESA DisplayPort Standard 1.4
	Resolution range	Up to 7680x4320@30Hz, 3840x2160@60Hz, and 1920x1080@144Hz.
	Connector	DisplayPort Female
	Impedance	100Ω
USB	Interface protocol	USB 2.0 Full Speed
	PC input interface type	USB 2.0-Type B Female
	Output interface type	USB 2.0-Type A Female
Other	Power supply	110 or 220V@50/60Hz; 5VDC, 3A
	Power dissipation	Maximum 2W
	Operating Temperature	-5°C to +50°C (23°F to 158°F)
	Operating Humidity	5% to 90%
	Dimension (WxDxH)	5.75 x 2.50 x 0.82 in (146 x 63.5 x 20.8 mm)

Maximum DP Cable Length (Available from VPI)

	1080p@60Hz	3840x2160@60Hz
DP-xx-MM	15 ft	6 ft

MAN389 REV 11/11/22