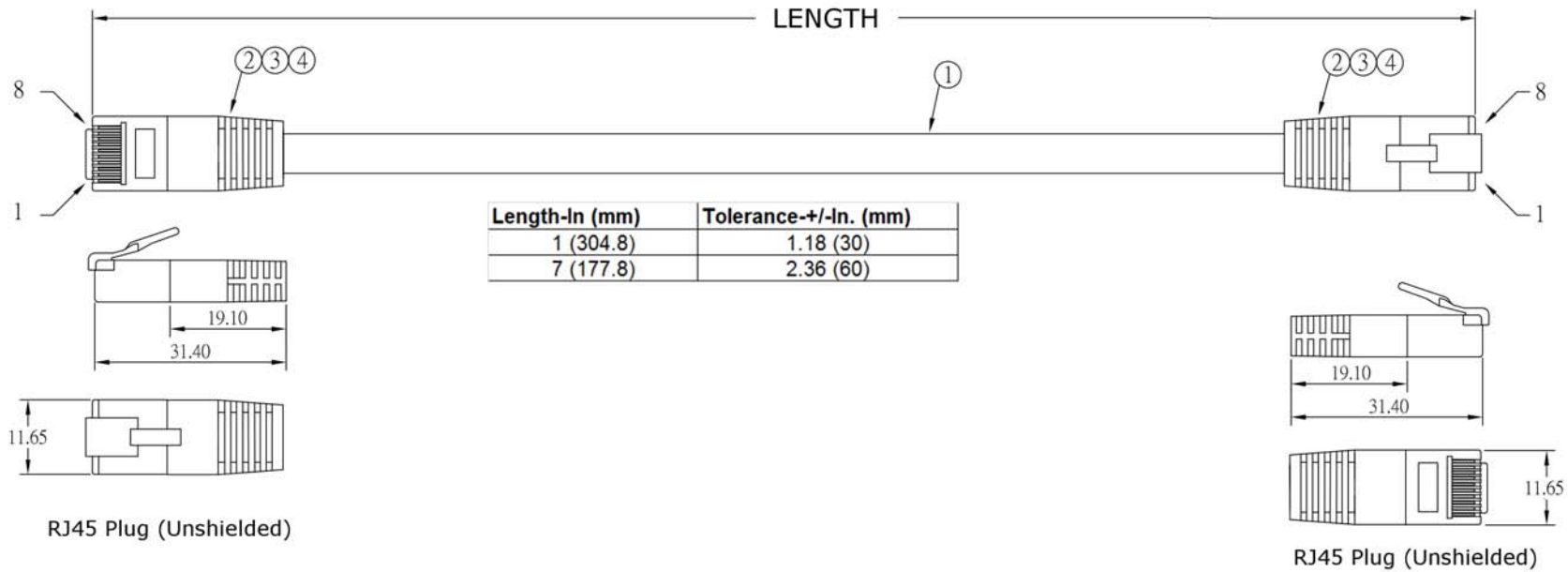


Pr

Customer Spec

VPI P/N: CAT5E-SFV2-xx-BLACK
(xx= length in feet)

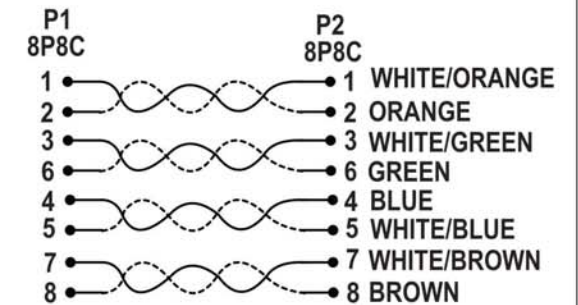


Length-In (mm)	Tolerance+/-In. (mm)
1 (304.8)	1.18 (30)
7 (177.8)	2.36 (60)

RJ45 Plug (Unshielded)

RJ45 Plug (Unshielded)

UNITS: Millimeters



No.	Component	Description
1	CABLE	CAT5E 4P*28 AWG(7/0.12BC),PVC JACKET, O.D.=2.4*7.4mm,60°C, BLACK
2	CONN.	RJ45 8P8C PLUG, CONTACT:GOLD PLATED 50μ"
3	BOOT	PVC 90P BLACK
4	BOOT	LDPE
5	CONSTRUCT.	FLAT CABLE WITH NO OVERALL SHIELD AND NO INDIVIDUAL SHIELDING ON THE STRANDED TWISTED PAIR RoHS COMPLIANT
6	MARKING ON JACKET	SUPERFLAT CAT5E UTP ETHERNET CABLE RoHS 4 PAIR 28 AWG STRANDED UTP ENHANCED CATEGORY 5 PATCH ETL(UL)VERIFIED TIA/EIA 568B

VPI VIDEO PRODUCTS INCORPORATED

1275 Danner Drive Aurora, Ohio 44202
 Tel: 330-562-2622 Fax: 330-562-1999
 www.vpi.us