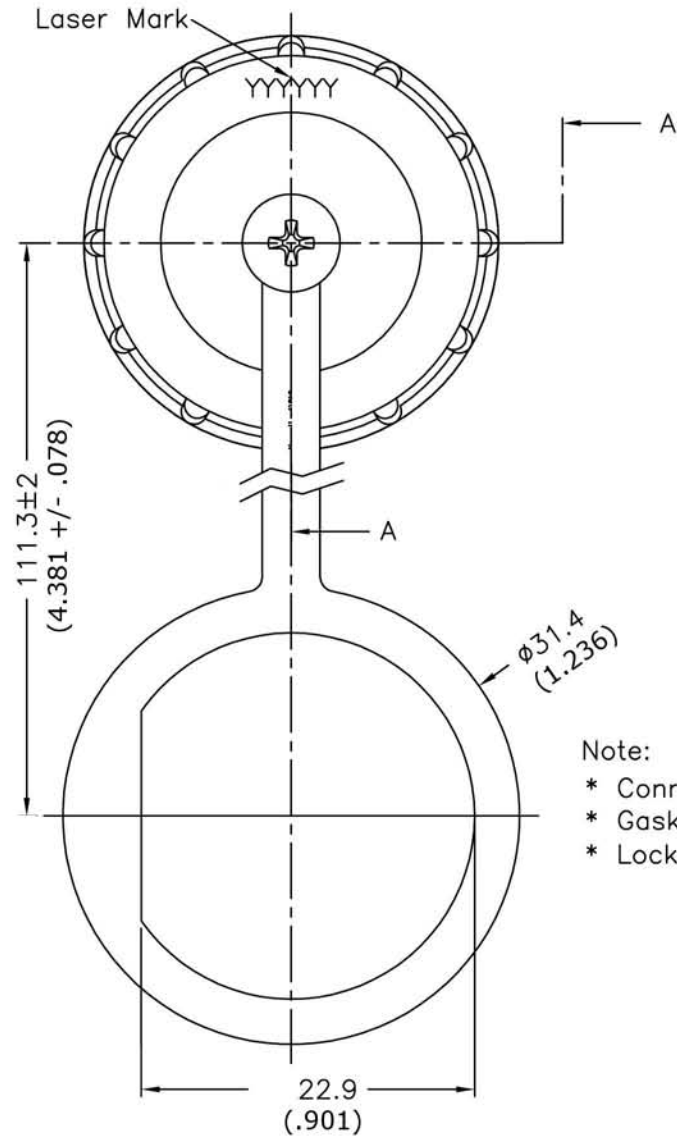
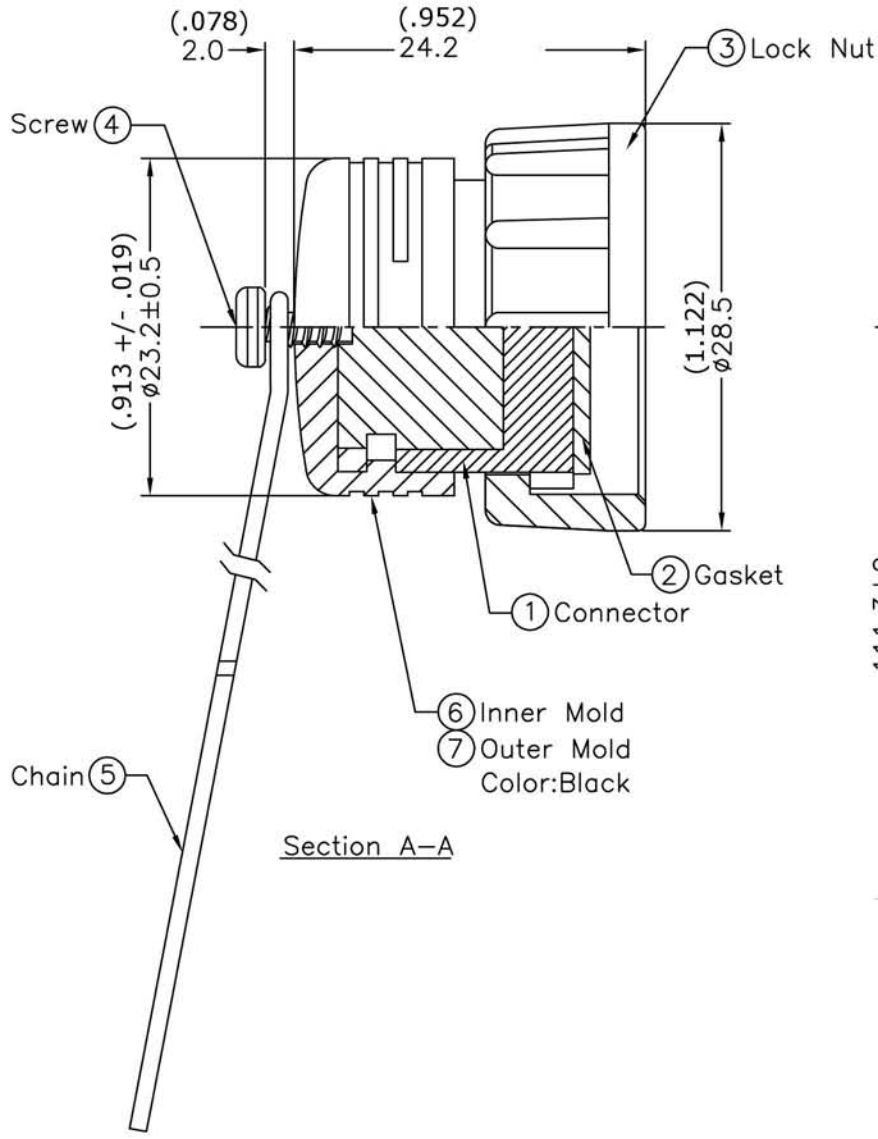


# VPI P/N: CAP-WTP-USB2-QR-T



- Note:
- \* Connector: Nylon+GF, Black.
  - \* Gasket: EPDM, Black.
  - \* Lock Nut: Nylon+GF, Black.

UNIT: mm (Inch)



1275 Danner Drive Aurora, Ohio 44202  
 Tel: 330-562-2622 Fax: 330-562-1999  
 www.vpi.us