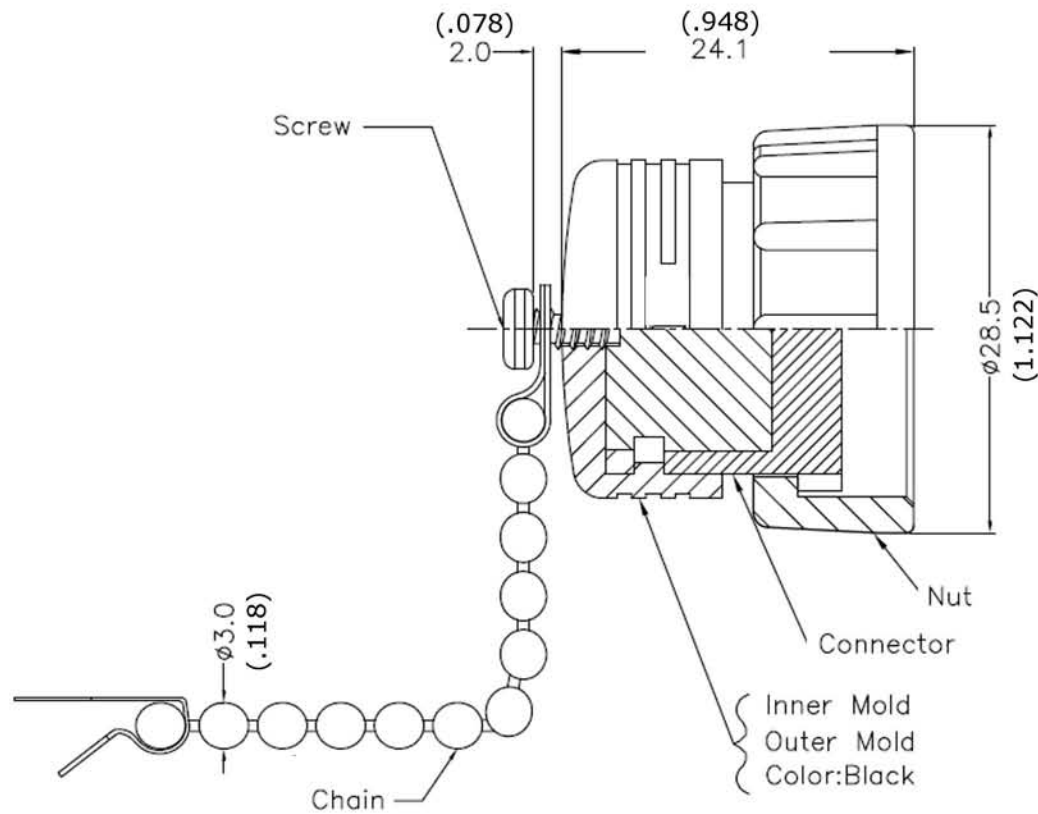
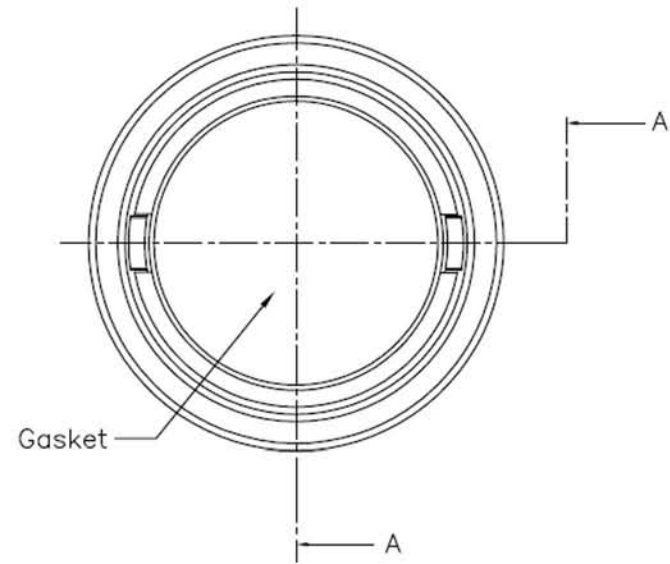


# VPI P/N: CAP-WTP-USB2-QR-C



Section A-A



Note:

- \* Waterproof Rate:IP67.
- \* Connector:Black,Nylon+GF.
- \* Lock Nut:Black,Nylon+GF.
- \* Gasket:Black,EPDM.

UNIT: mm (Inch)

**VPI**  
VIDEO  
PRODUCTS  
INCORPORATED

1275 Danner Drive Aurora, Ohio 44202  
Tel: 330-562-2622 Fax: 330-562-1999  
www.vpi.us