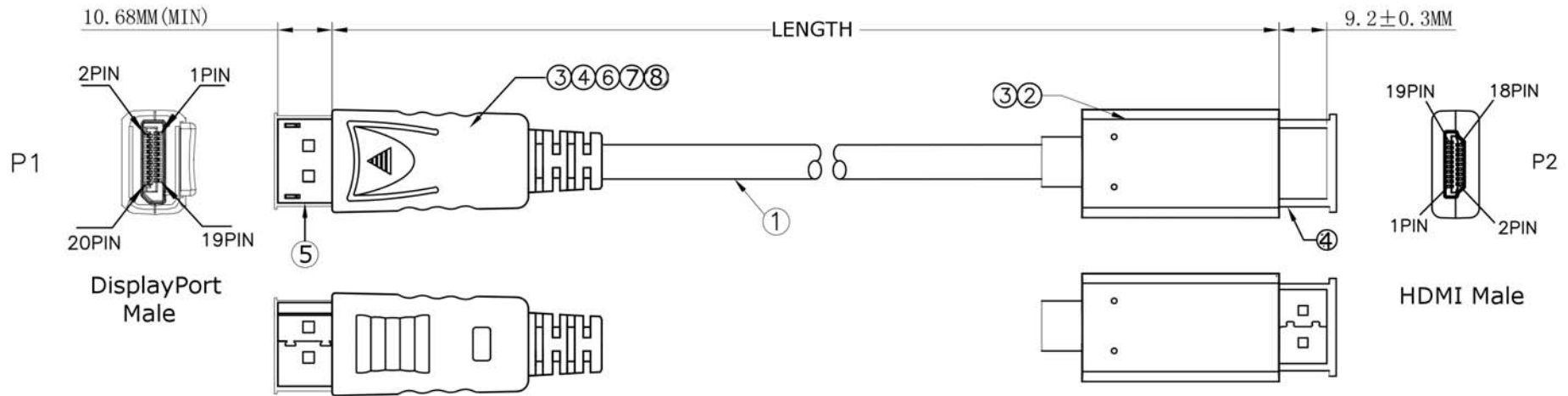


CT

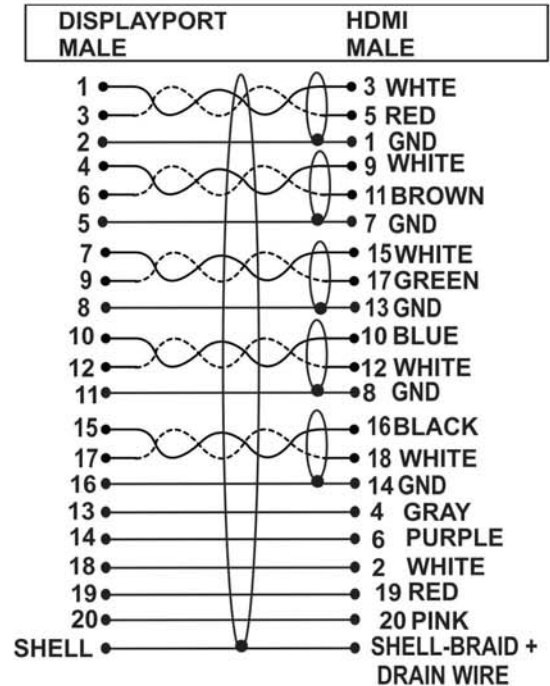
CUSTOMER SPEC

VPI P/N: DP-HD-xx-MM



UNITS: Millimeters

Length-Ft (mm)	Tolerance- +/- In. (mm)
3 (915)	2.36 (60)
6 (1830)	2.36 (60)
10 (3050)	3.14 (80)
15 (4575)	3.93 (100)



No.	Component	Description
1	CABLE	UL20276(7/0.127TA*1PR+EAM)*5+7/0.127TA*5C+AEB 85% OD=7.3MM, BLACK
2	MATERIAL	PVC 45P BLACK
3	MATERIAL	TRANSPARENT PE
4	CONNECTOR	HDMI MALE WITH TRANSPARENT DUST COVER
5	CONNECTOR	DISPLAY PORT MALE WITH TRANSPARENT DUST COVER
6	MOLD	INSULATION BLACK SHELL- GOLD PLATED
7	MOLD	ABS ON THE SHELL- BLACK
8	MOLD	ABS UNDER THE SHELL- BLACK
9	CONSTRUCTION	ALL MATERIALS ARE RoHS COMPLIANT
10	MARKING	DisplayPort Cable <UL File#> UR AWM STYLE 20276 80°C 30V VW-1

VPI VIDEO
PRODUCTS
INCORPORATED

1275 Danner Drive Aurora, Ohio 44202
Tel: 330-562-2622 Fax: 330-562-1999
www.vpi.us