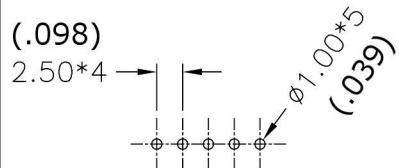
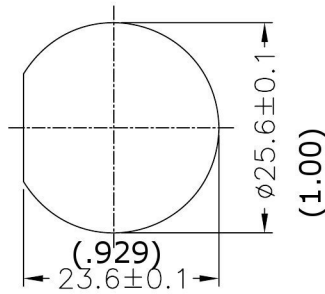


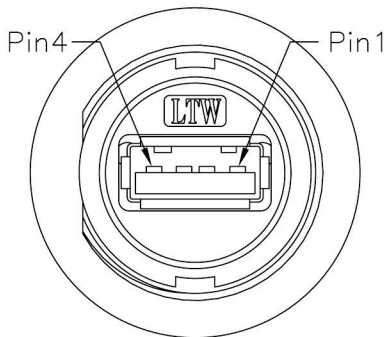
VPI P/N USB2-AF-WTP-CS-QRFL



PCB Layout



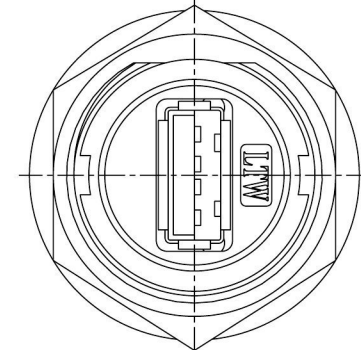
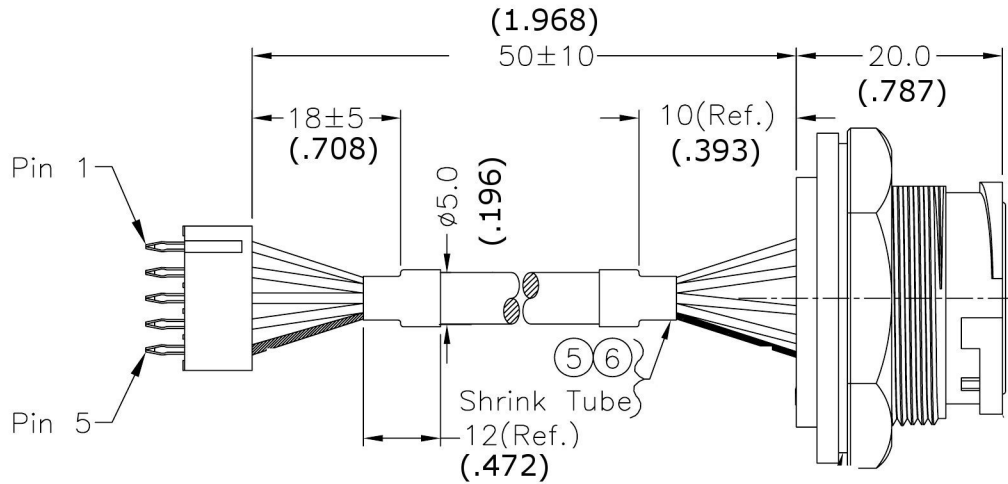
Recommended Panel Cut-Out



Conn.
Pin Assignments
Front View

5	Drain		Shield
4	Black	24AWG	4
3	Green	28AWG	3
2	White	28AWG	2
1	Red	24AWG	1
Housing	Wire Color		Conn.

Twist



Note:

- * Waterproof Rate:IP67.
- * Shell: Nylon+GF,Black
- * Connector: USB A Female, Gold Plated
- * Panel Nut: Black, Nylon+GF
- * Gasket: EPDM, Black
- * Terminal: Phosphor bronze,Tin-plated
- * Cable: USB2.0 28AWG*1P+24AWG*2C+AL/My+D+B, Black PVC Jacket Resist UV,OD=5.0mm
- * Use with waterproof cap or dust cap
For Panel Thickness Max: 2.8mm
- * Use without waterproof cap or dust cap
For Panel Thickness Max: 4.0mm

UNIT:mm (INCH)

TOLERANCE	
.X	±0.25
.XX	±0.1
.XXX	±0.05
ANGLES	±1°



1275 Danner Drive Aurora,Ohio 44202
Tel: 330-562-2622 Fax: 330-562-1999
www.vpi.us