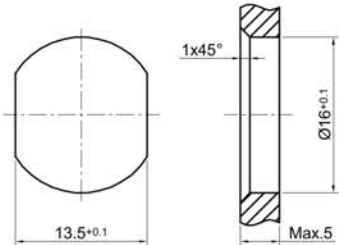
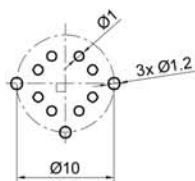


Female Front View



Panel Cut-Out

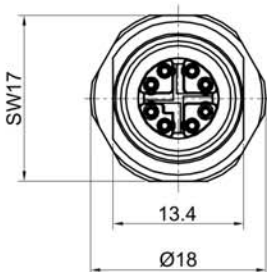


P.C.B Layout

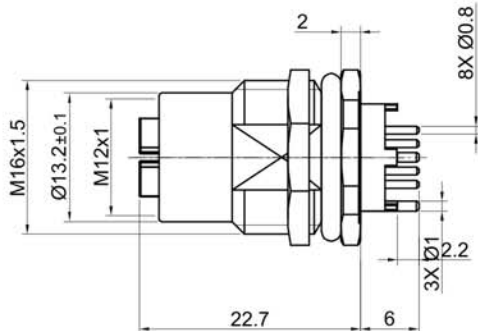
General Specifications

Connector locking system:	Screw thread
Contact termination:	Dip Solder
Temperature range:	-20°C ~ +80°C
Mating cycles:	> 100
Coding:	A
Degree of protection:	IP67 in mated
Rated voltage:	30V DC
Rated current:	1A
Contact resistance:	≤5 mΩ
Insulation resistance:	≥100 MΩ
IEC standard:	IEC 61076-2-109

All materials are RoHS compliant



UNITS: Millimeters



ITEM	SPECIFICATION
Contact	Phosphor Bronze, Gold Plated
Contact Housing	PA66+GF, Black
Seal	O-ring NBR, Black
Outer Shell	Brass, Nickel Plated
Hex Nut	Brass, Nickel plated
X Shell	Zinc die cast, Nickel plated