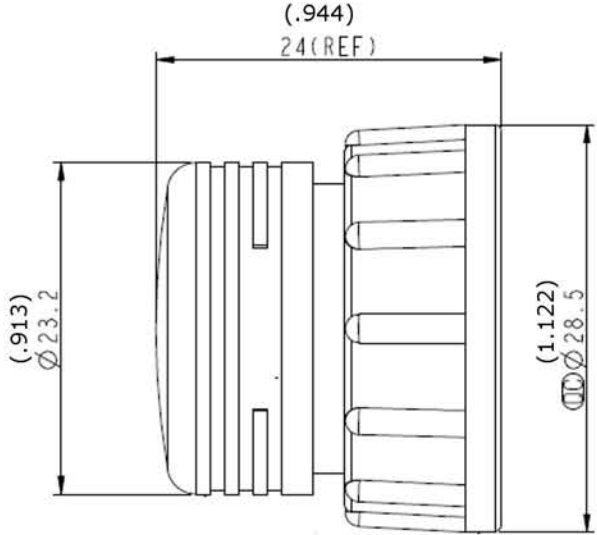


VPI P/N: CAP-WTP-USB2-QR



Color: Black



- Notes:
- * Connector : Nylon+GF, BK
 - * Gasket : EPDM, BK
 - * Lock Nut : Nylon+GF, BK
 - * All Parts Are RoHS Compliant

UNIT: mm (Inch)



1275 Danner Drive Aurora, Ohio 44202
Tel: 330-562-2622 Fax: 330-562-1999
www.vpi.us