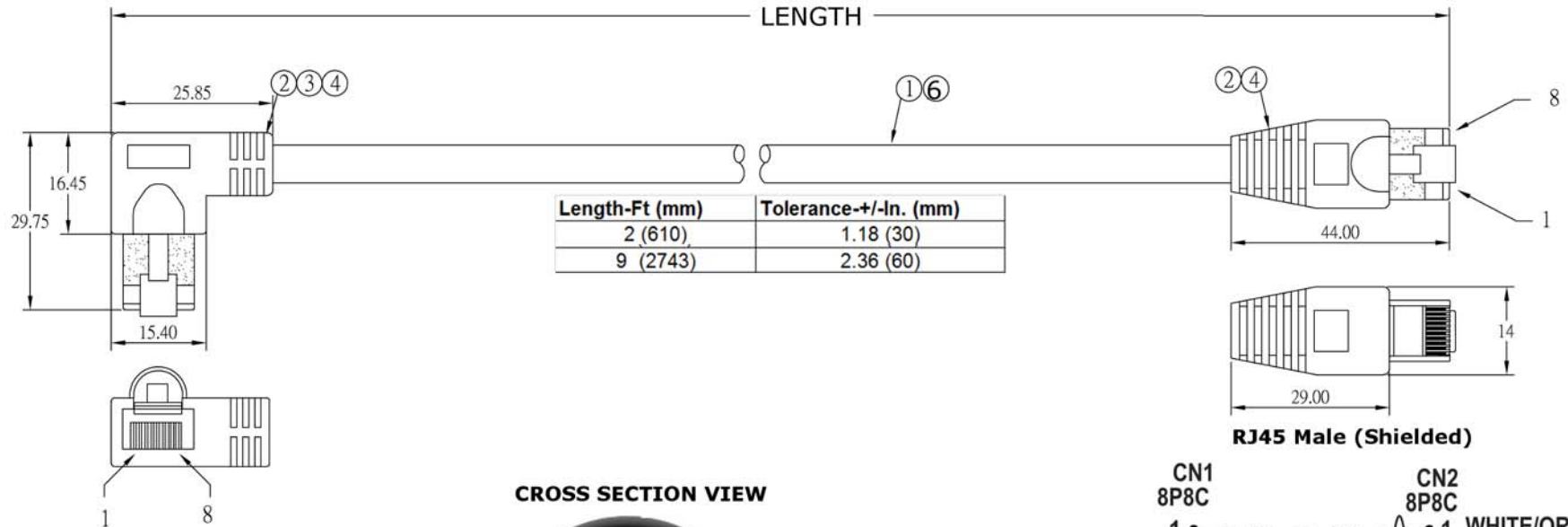


Pr

CUSTOMER SPEC

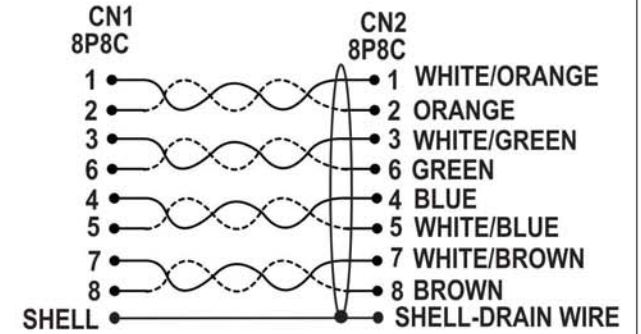
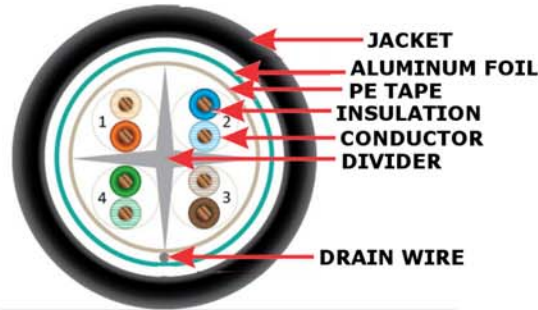
CAT6-LASV2-x-GRAY-SHLD



RJ45 Male (Shielded)

RJ45 Male (Shielded)

CROSS SECTION VIEW



Units: Millimeters
 OPEN/SHORT TEST: 100% TEST
 INSULATION: 5M.

No.	Component	Description
1	CABLE	CAT6 4P*26 AWG(7/0.16BC) WITH DIVIDER,+AL+DRAIN WIRE+PVC JACKET, O.D.=6.2MM 60°C GRAY
2	CONN.	RJ45 8P8C PLUG,SHELL:NICKEL PLATED, CONTACT:GOLD PLATED 15μ"
3	BOOT	LDPE
4	BOOT	PVC 70P GRAY , SNAGLESS
5	CONSTRUCT.	CABLE WITH OVERALL SHIELD AND DRAIN WIRE BUT WITH UNSHIELDED INDIVIDUAL STRANDED TWISTED PAIR ALL MATERIALS RoHS COMPLIANT
6	MARKINGS ON JACKET	AWM 2835, 26AWG,60°C 30V,FT2 ,<UL FILE #>, ETL VERIFIED, CAT6 FTP TIA/EIA 568B.2, CM, 4PR CABLE

VPI VIDEO PRODUCTS INCORPORATED

1275 Danner Drive Aurora, Ohio 44202
 Tel: 330-562-2622 Fax: 330-562-1999
 www.vpi.us