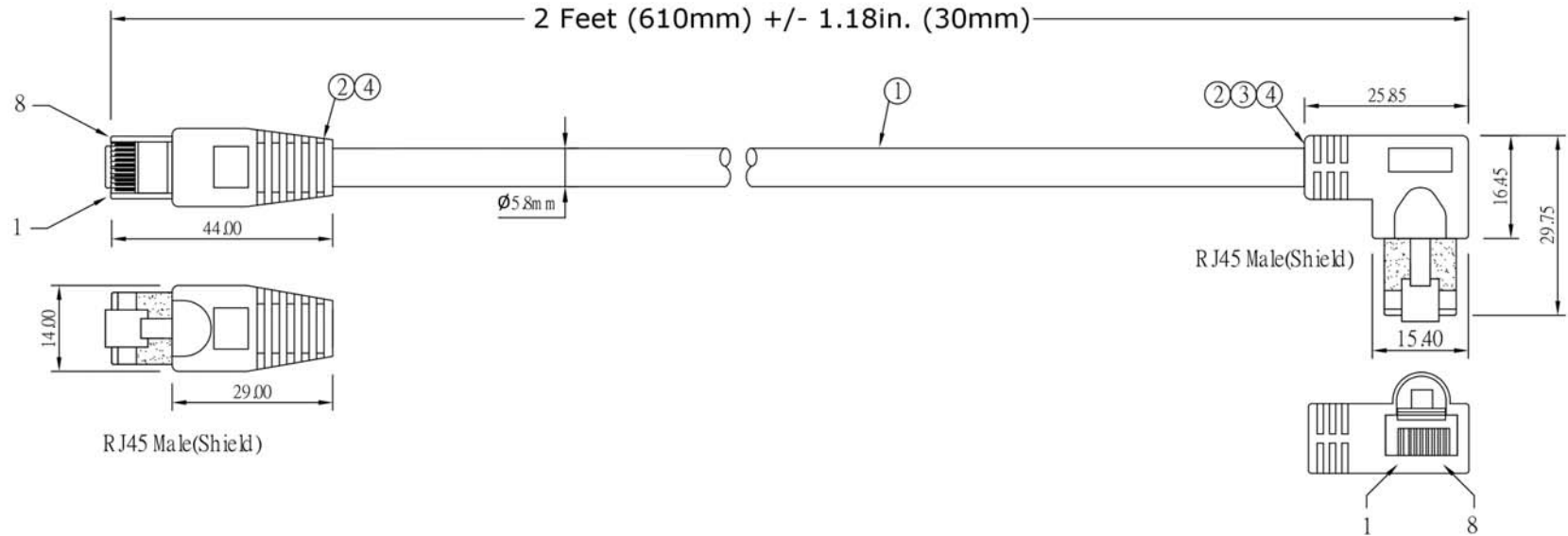


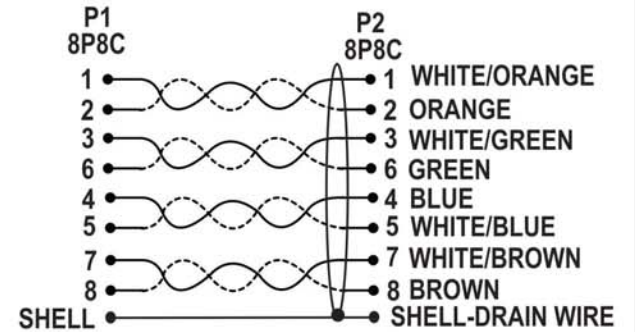
Pr Customer Spec

VPI P/N: CAT5E-RASV2-2-GRAY-SHLD



UNITS: Millimeters

PINOUT:



No.	Component	Description
1	CABLE	CAT5E FTP 4P*26 AWG(7/0.16BC)+AL + DRAIN,PVC JACKET, O.D.=5.8mm, 60°C,GRAY
2	CONN.	RJ45 8P8C PLUG, SHIELDED, CONTACT:GOLD PLATED 15μ"
3	BOOT	LDPE
4	BOOT	PVC GRAY SNAGLESS
5	CONSTRUCT.	CABLE WITH OVERALL SHIELD AND 4 UNSHIELDED STRANDED TWISTED PAIR ALL MATERIALS ARE RoHS COMPLIANT
6	MARKING ON JACKET	FTP PATCH CABLE (UL) TYPE CM 26AWG/4PRS CAT5E ISO/IEC 11801 TIA/EIA 568B



VIDEO PRODUCTS INCORPORATED

1275 Danner Drive Aurora, Ohio 44202
Tel: 330-562-2622 Fax: 330-562-1999
www.vpi.us