



VIDEO  
PRODUCTS  
INCORPORATED

1275 Danner Drive Aurora, Ohio 44202  
Tel: 330-562-2622 Fax: 330-562-1999  
www.vpi.us

# RJ45-6WTP-CS-CBL-25CM

M20 RJ45 Waterproof Connector with 25CM CAT6 Shield Cable



## Main Parameter

1. Core: 8 cores
2. Waterproof Grade: Inside waterproof box IP45  
Outside waterproof box IP68
3. Connector :RJ45
4. Flame retardant grade:UL94V-0
5. Cable OD:(3~8)MM
6. Installation Size: M20\*1.5
7. Enclosure thickness: Thread type>3mm;  
Through hole type:0.3-7.5mm
8. Cable: FTP /CAT6/23AWG
9. Cable Length: 25CM (9.84 In.)
10. Transfer speed:10BASE-T、 100 BASE-T、 1000 BASE-T  
10000 BASE-T

## Electronic Performance

1. Current rate: 1.5A
2. Voltage rate:125VAC,75VDC
2. Insulation resistance > 500MΩ
3. Withstand voltage: AC1000V 50HZ or 60HZ for 1 minute
4. Contact resistance < 10MΩ

## Mechanical Performance

1. Insert force:900g
2. Strength coordination Plug and socket 7.7kg
3. Lifetime > 750 times

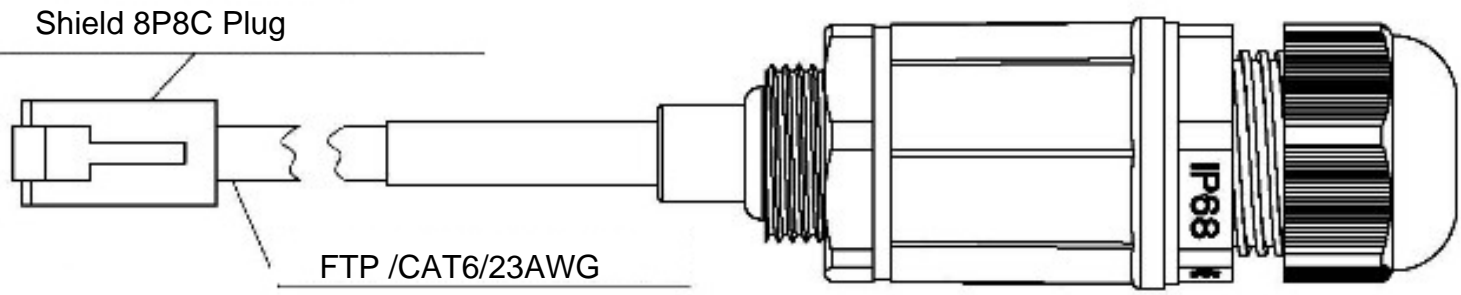
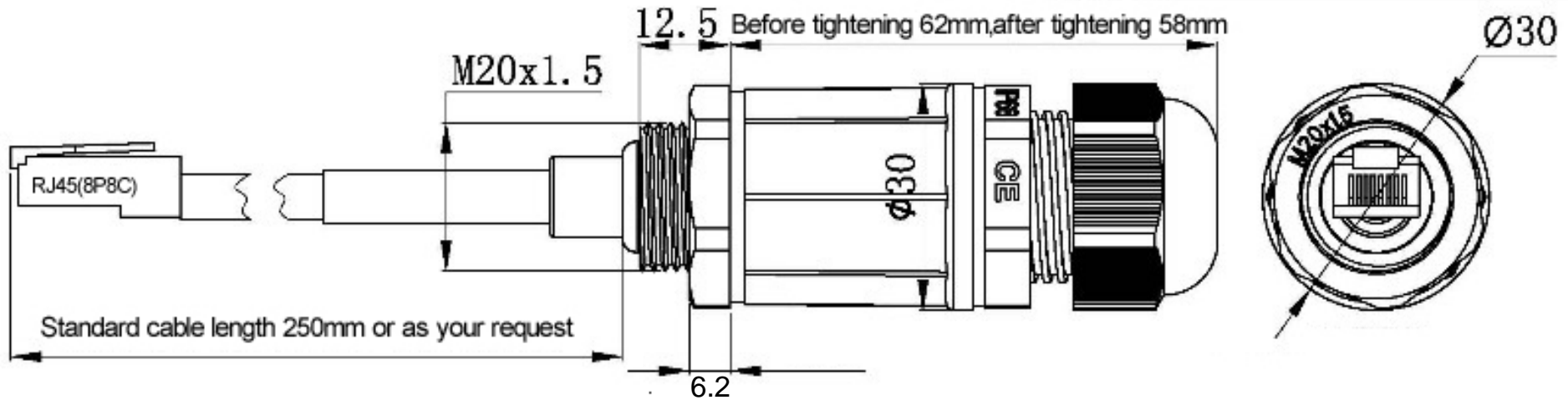
## Material

1. Housing :ABS
2. Gasket: Silica gel+Rubber
3. Sealing Nut: Nylon PA66(UL94V-0)
4. Contact needle: OD 0.5MM Phosphorus copper
5. Contact: 6u" inch

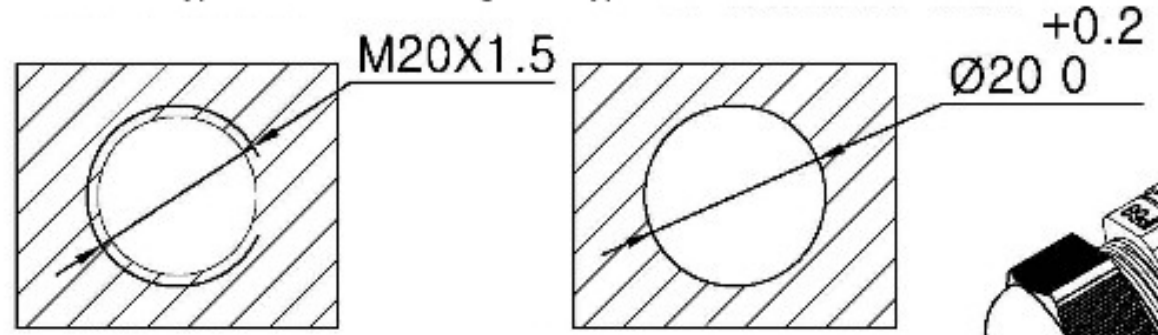
## Environment

1. Working temperature : -40°C ~ 85°
2. Storage temperature: -25°C ~ 65°
3. Atmospheric pressure: 86 ~ 106Kpa
4. Humidity: ≤90%

品名	規格書	図番	頁数
-	-	-	-
3			

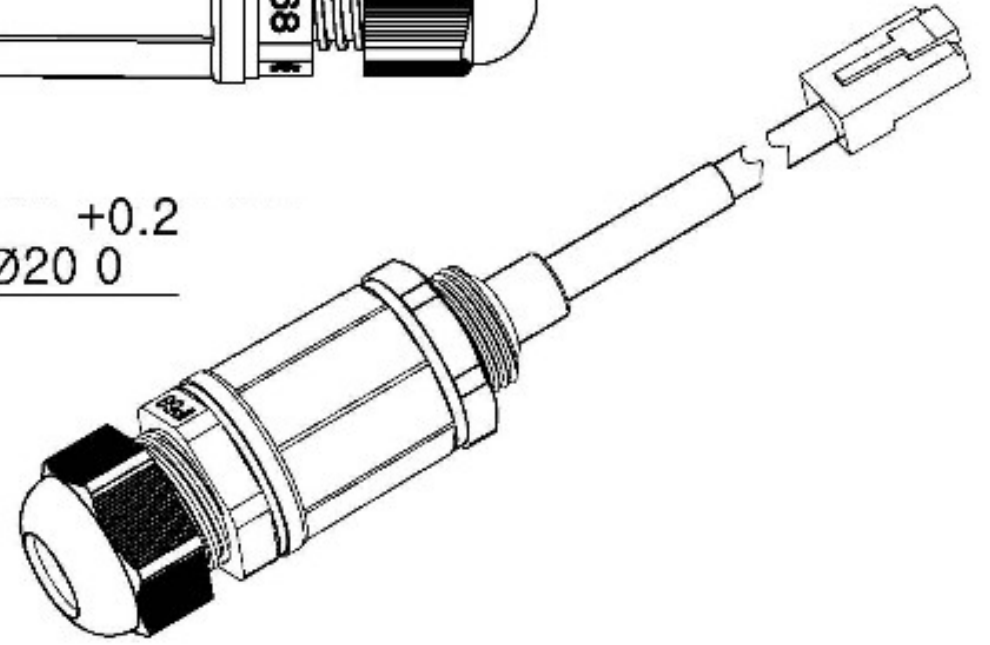


Enclosure thickness:  
 1. Thread type > 3mm      2. Through hole type 0.3-7.5mm



Installation 1: threaded hole

Installation 2: round hole





1. Take product apart



2. Put socket side into enclosure hole and tight



3. We also can tight by 27mm wrench



4. Open waterproof ring, put cable in



5. Press waterproof ring, insert plug to socket



6. Tight screw cap , insert plug to socket