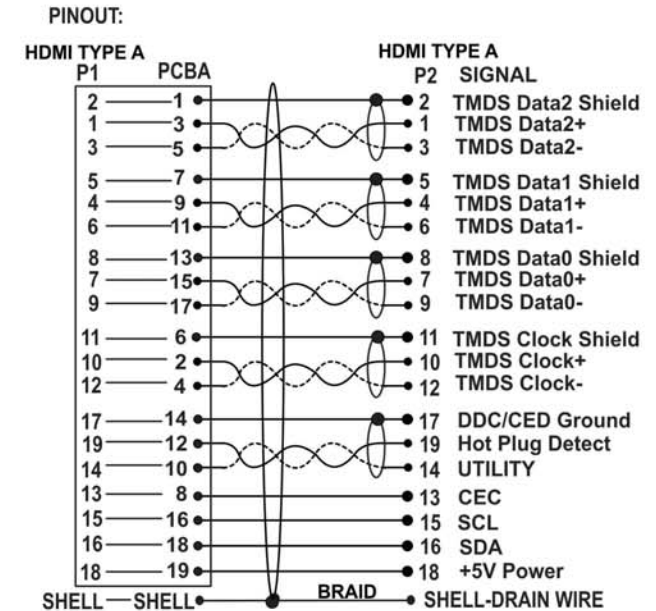


CABLES ARE DIRECTIONAL

LENGTH-FT (mm)	Tolerance-In (mm)	5TP AWG	4C AWG	OD (mm)
20 (6100)	3.94 (100)	30 (7/0.1)	30	6.0
30 (9140)	3.94 (100)	30 (7/0.1)	30	6.0
40 (12200)	9.5 (240)	28 (1/0.32)	28 (1/0.32)	7.3
50 (15250)	11.8 (300)	26 (1/0.404)	28 (1/0.32)	8
60 (18300)	14.17 (360)	24 (1/0.527)	26 (1/0.404)	9.5
75 (22875)	7.9 (200)	24 (1/0.527)	26 (1/0.404)	9.5
100 (30500)	7.9 (200)	24 (1/0.527)	26 (1/0.404)	9.5

No.	Component	Description
1	CABLE	HDMI (5TP + 4C (SEE CHART FOR CONDUCTOR GAUGES)+AL+DRAIN) +AL+DRAIN +BRAID, PVC JACKET:BLACK
2	CONNECTOR	HDMI-19P GOLD PLATE PINS 3µ, SHELL GOLD PLATED 1µ
3	CHIP	INTEGRATED CIRCUIT
4	HEATSHRINK	1.0mm∅ X 18mm BLACK SUPER THIN
5	PE	LDPE NATURAL COLOR
6	MOLD	PVC 45P BLACK
7	LABEL	60mm X 12mm "BUILT-IN BOOSTER CONNECT TO DISPLAY"
8	CONSTRUCTION	CABLE HAS OVERALL BRAIDED SHIELD, 5 SHIELDED STRANDED TWISTED PAIRS, AND 4 UNSHIELDED CONDUCTORS, ALL MATERIALS ARE RoHS COMPLIANT
9	JACK MARKINGS	"HIGH SPEED HDMI CABLE with Ethernet <UL FILE#> AWM 20276 80°C 30V VW-1"



VIDEO PRODUCTS INCORPORATED

1275 Danner Drive Aurora, Ohio 44202
 Tel: 330-562-2622 Fax: 330-562-1999
 www.vpi.us