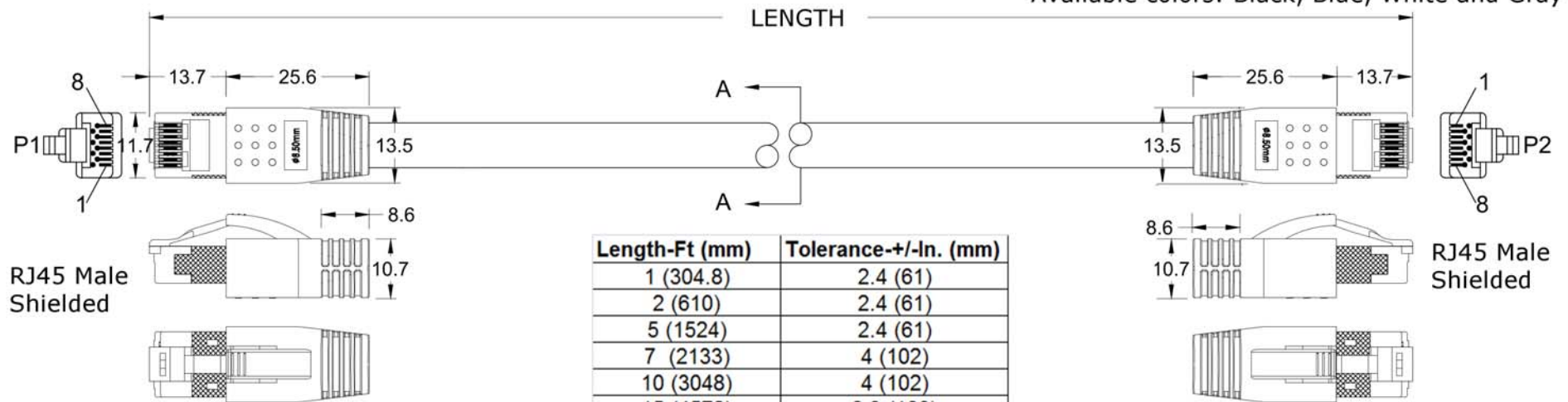


BI Customer Spec

VPI P/N: CAT8-xx-color

(xx= LENGTH IN FEET)

Available colors: Black, Blue, White and Gray



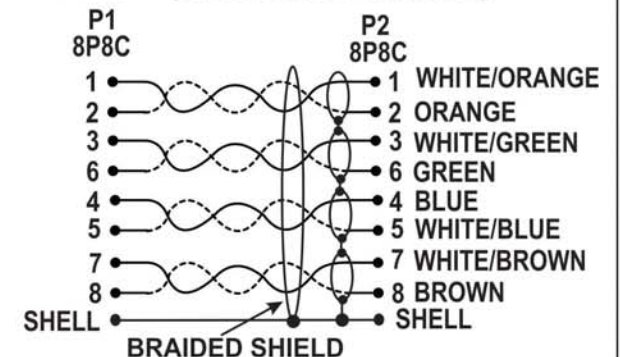
Length-Ft (mm)	Tolerance-+/-In. (mm)
1 (304.8)	2.4 (61)
2 (610)	2.4 (61)
5 (1524)	2.4 (61)
7 (2133)	4 (102)
10 (3048)	4 (102)
15 (4572)	6.3 (160)
25 (7620)	8 (203)
35 (10668)	12 (304.8)

RJ45 Male Shielded

RJ45 Male Shielded



PINOUT: (TIA/EIA 568B Standard)



UNITS: Millimeters

No.	Component	Description
1	CABLE	CAT8 S/FTP (1P*24 AWG(7/0.20BC)+FOIL)*4+BRAID (16*8/0.12AL-MG) ,PVC JACKET, O.D.=7.9mm, COLOR AS REQUESTED
2	CONN.	RJ45 8P8C PLUG, LONG TYPE, NICKEL PLATED SHELL, CONTACT:GOLD PLATED 50μ"
3	BOOT	COLOR AS REQUESTED, SNAGLESS
4	CONSTRUCT.	CABLE WITH OVERALL BRAIDED SHIELD AND 4 MYLAR FOIL SHIELDED STRANDED TWISTED PAIR ALL MATERIALS ARE RoHS COMPLIANT
5	MARKING ON JACKET	25/40GBase-T CAT8-2000MHz S/FTP PIMF PATCH CABLE CM PVC

VPI VIDEO PRODUCTS INCORPORATED

1275 Danner Drive Aurora, Ohio 44202
Tel: 330-562-2622 Fax: 330-562-1999
www.vpi.us