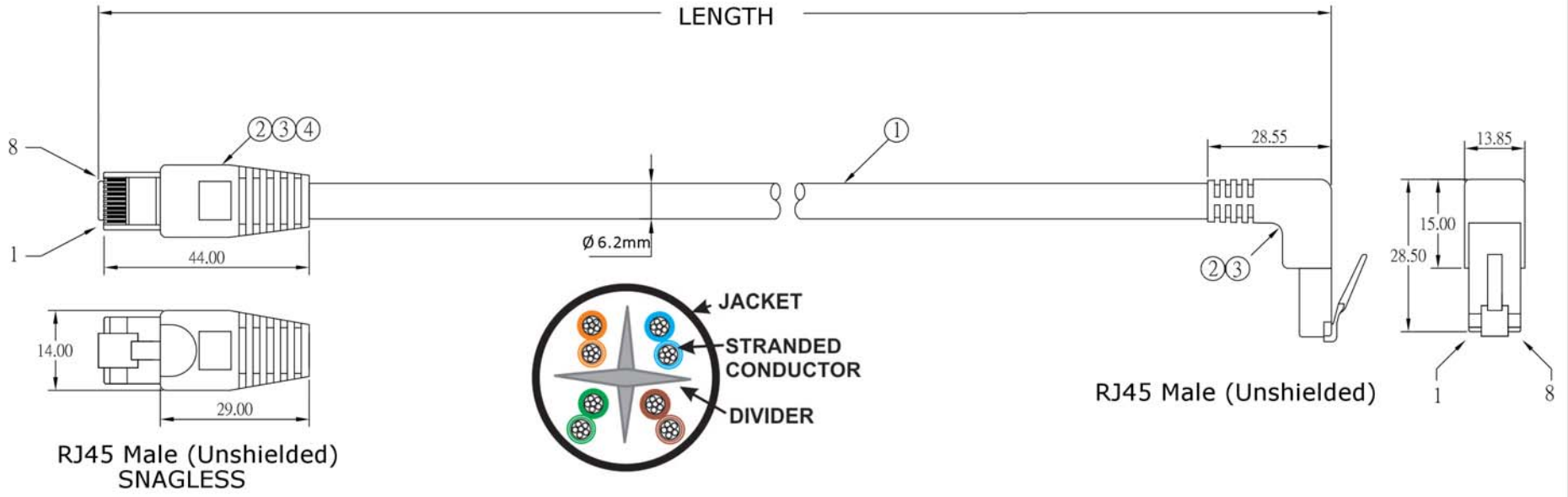


Pr Customer Spec

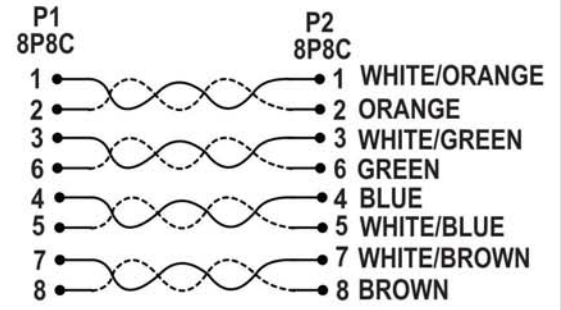
Length-Ft (mm)	Tolerance-+/-In. (mm)
2 (610)	1.18 (30)
5 (1524)	2.36 (60)

VPI P/N: CAT6-DASV2-xx-GRAY
xx= see chart



UNITS: Millimeters

Operating Temperature: -4 to 140°F (-20 to 60°C)
Storage Temperature: -4 to 176°F (-20 to 80°C)



No.	Component	Description
1	CABLE	CAT6 4P*24 AWG(7/0.20BC)+DIVIDER + PVC JACKET, O.D.=6.2mm, 60°C, GRAY
2	CONN.	RJ45 8P8C PLUG, UNSHIELDED, CONTACT:GOLD PLATED 15μ"
3	BOOT	PVC GRAY
4	BOOT	LDPE
5	CONSTRUCT.	CABLE WITH NO OVERALL SHIELD AND 4 UNSHIELDED STRANDED TWISTED PAIR ALL MATERIALS ARE RoHS COMPLIANT
6	MARKING ON JACKET	AWM 2835, 24AWG,60°C 30V,FT2 ,<UL FILE #>, ETL VERIFIED, CAT6 UTP TIA/EIA 568B.2-1, CM, 4PR CABLE

VPI VIDEO PRODUCTS INCORPORATED
1275 Danner Drive Aurora, Ohio 44202
Tel: 330-562-2622 Fax: 330-562-1999
www.vpi.us

6/3/21