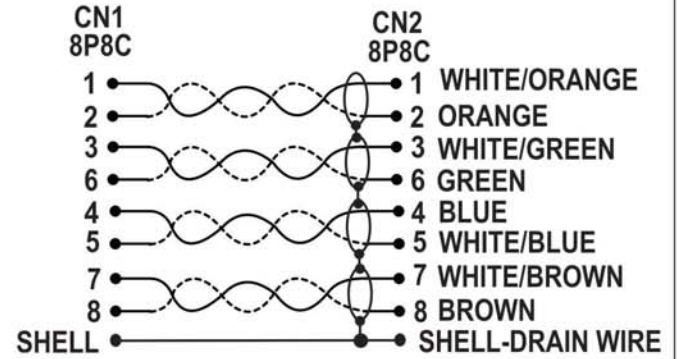


| Length-Ft (mm) | Tolerance- +/- In. (mm) |
|----------------|-------------------------|
| 1 (304.8) | 1.18 (30) |
| 2 (610) | 1.18 (30) |
| 3 (914) | 2.36 (60) |
| 5 (1524) | 2.36 (60) |
| 7 (2133) | 2.36 (60) |
| 10 (3048) | 3.937/-2.37(100/-60) |
| 14 (4267) | 3.937/-2.37(100/-60) |
| 25 (7620) | 3.937/-2.37(100/-60) |
| 50 (15240) | 7.87/-3.94 (200/-100) |

PINOUT:



| No. | Component | Description |
|-----|------------|--|
| 1 | CABLE | FLAT CAT5E 4P*28 AWG(7/0.127BC)+AL*4P+DRAIN,PVC JACKET, O.D.=2.4*7.4mm, BLACK |
| 2 | CONNECTOR | RJ45 8P8C PLUG, SHORT TYPE, SHELL: NICKEL PLATED, CONTACT:GOLD PLATED 50µ" |
| 3 | BOOT | PVC 45P BLACK |
| 4 | CONSTRUCT. | FLAT CABLE WITH NO OVERALL SHIELD BUT WITH INDIVIDUAL FOIL SHIELDED STRANDED TWISTED PAIR AND DRAIN WIRE RoHS COMPLIANT |