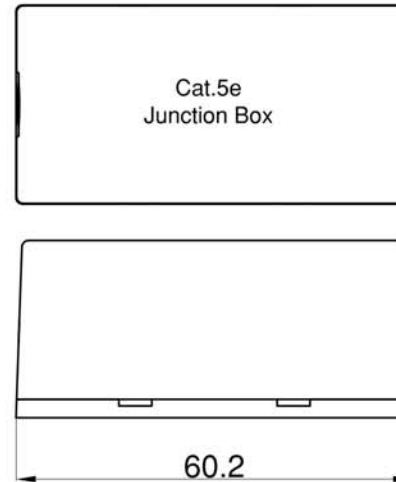
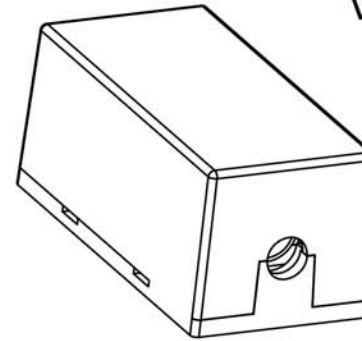
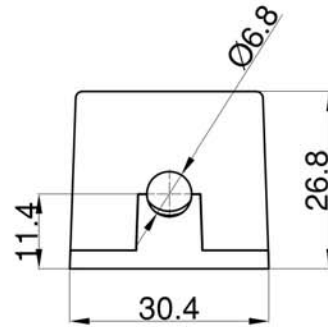
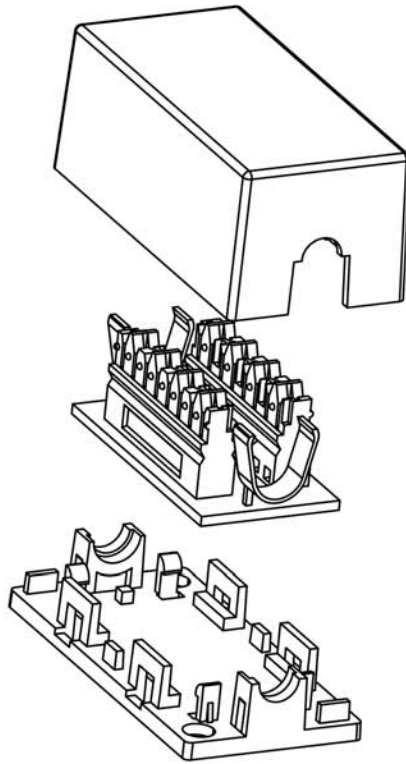
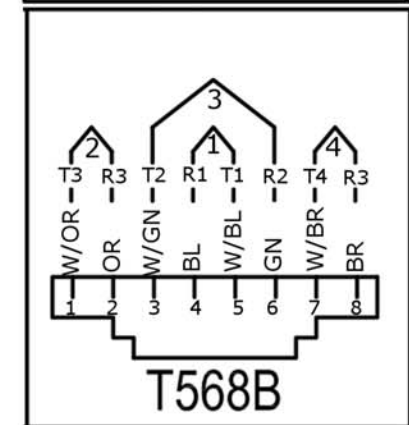
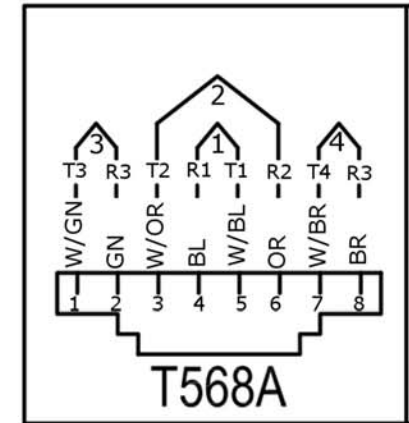


BI

VPI P/N: CAT5E-JBPD-V2



PIN/PAIR ASSIGNMENTS



UNITS: Millimeters

**SPECIFICATION**

- 1 Connector: 110 Connector---Body: PC UL94V-0.  
Contact: Phosphor Bronze with Tin plated.
- 2. P.C.Board: FR4,1.6mm Double side.
- 3. Operation Temperature : -10° C to 60° C.

ALL MATERIALS ARE RoHS COMPLIANT