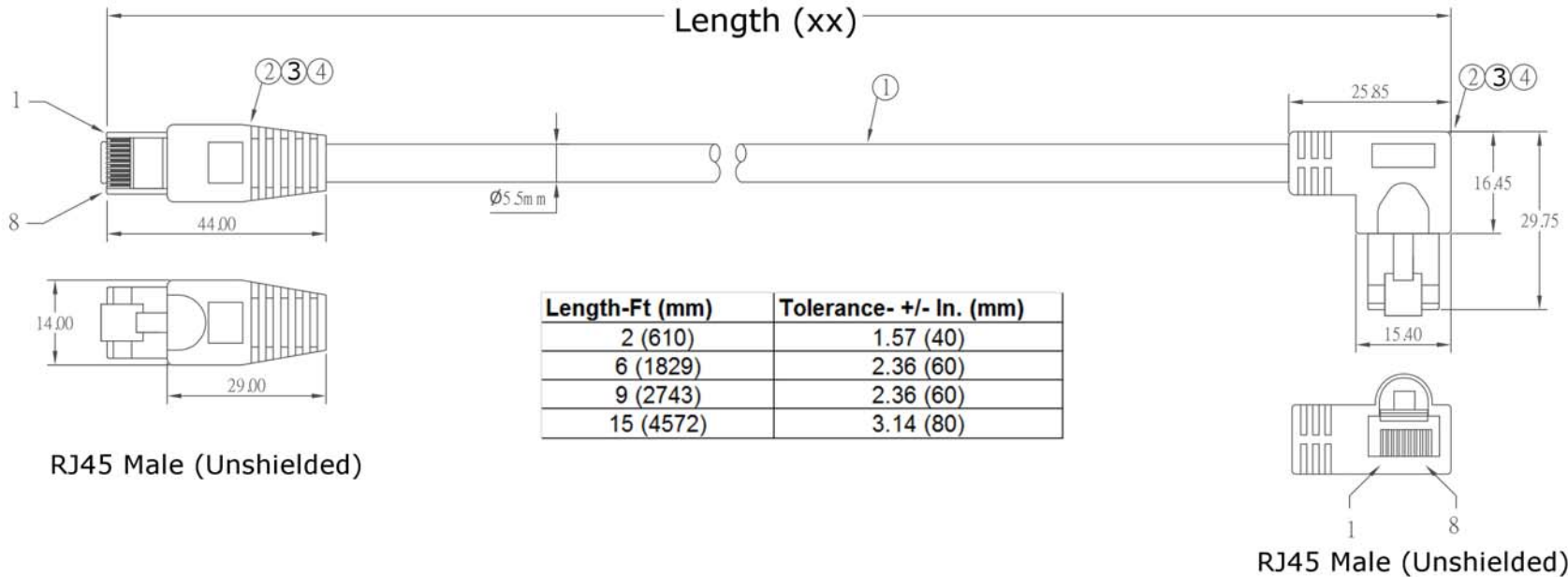


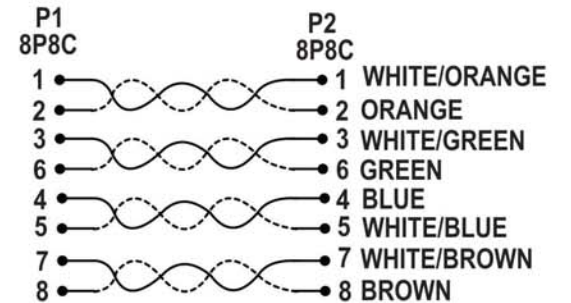
Pr

CUSTOMER SPEC

VPI P/N: CAT5E-RASV2-xx-color



UNITS: Millimeters



No.	Component	Description
1	CABLE	CAT5E 4P*24 AWG(7/0.20BC),PVC JACKET, O.D.=5.5mm, 60°C, Color as Requested
2	CONN.	RJ45 8P8C PLUG, CONTACT:GOLD PLATED 15μ"
3	BOOT	LDPE
4	BOOT	PVC SNAGLESS, Color as Requested
5	CONSTRUCT.	CABLE WITH NO OVERALL SHIELD AND 4 UNSHIELDED STRANDED TWISTED PAIR; ALL MATERIALS ARE RoHS COMPLIANT
6	MARKINGS ON JACKET	AWM 2835, 24AWG,60°C 30V,FT2 ,<UL FILE #>, ETL VERIFIED, CAT5e UTP TIA/EIA 568B.2, CM, 4PR CABLE

VPI VIDEO PRODUCTS INCORPORATED

1275 Danner Drive Aurora, Ohio 44202
 Tel: 330-562-2622 Fax: 330-562-1999
 www.vpi.us