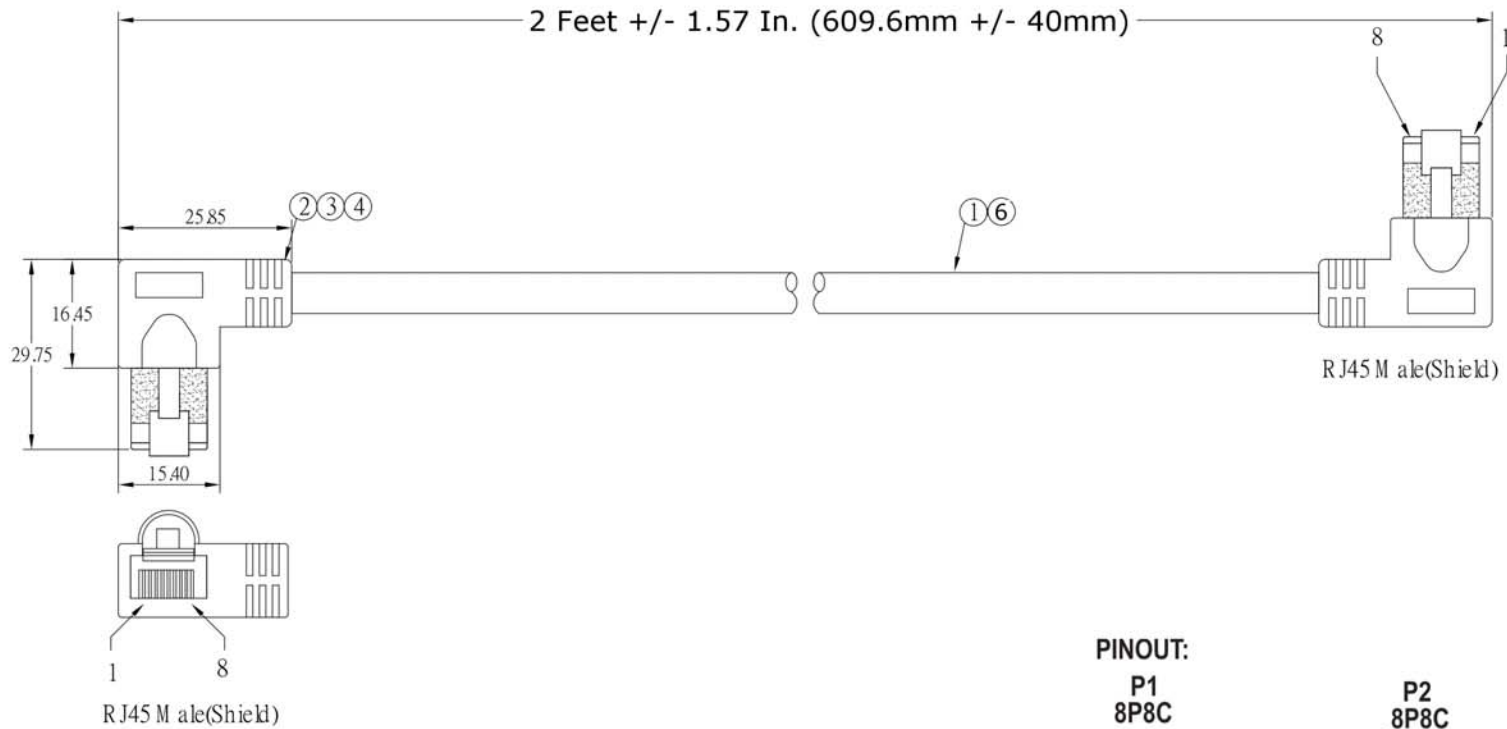


Pr

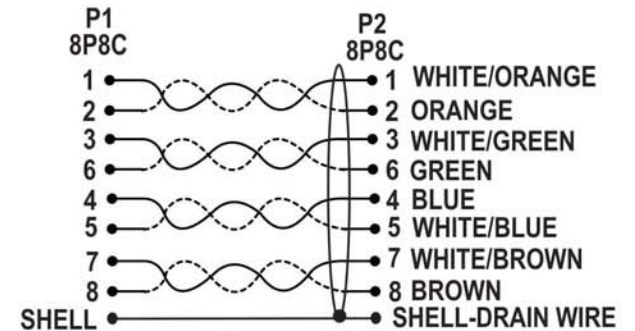
Customer Spec

VPI P/N: CAT6-LAV2-2-GRAY-SHLD



UNITS: Millimeters

PINOUT:



No.	Component	Description
1	CABLE	CAT6 4P*26 AWG(7/0.16BC) WITH DIVIDER+AL+DRAIN WIRE+PVC JACKET, O.D.=6.2MM 60°C GRAY
2	CONN.	RJ45 8P8C PLUG,SHELL:NICKEL PLATED, CONTACT:GOLD PLATED 15μ"
3	BOOT	LDPE
4	BOOT	PVC 70P GRAY , SNAGLESS
5	CONSTRUCT.	CABLE WITH OVERALL SHIELD AND DRAIN WIRE BUT WITH UNSHIELDED INDIVIDUAL STRANDED TWISTED PAIR RoHS COMPLIANT
6	MARKINGS ON JACKET	UR AWM 2835 26AWG 60°C 30V FT2 <UL FILE #> ETL VERIFIED CAT6 FTP TIA/EIA 568B

VPI VIDEO PRODUCTS INCORPORATED

1275 Danner Drive Aurora, Ohio 44202
 Tel: 330-562-2622 Fax: 330-562-1999
 www.vpi.us

6/6/18