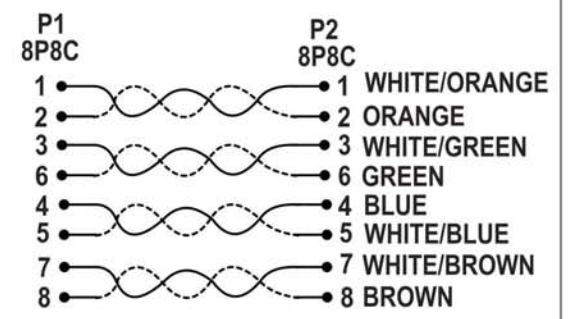


RJ45 Male(Unshield)

RJ45 Male(Unshield)

UNITS: Millimeters



| No. | Component | Description |
|-----|------------|--|
| 1 | CABLE | CAT5E 4P*24 AWG(7/0.20BC),PVC JACKET, O.D.=5.5mm, 60°C, GRAY |
| 2 | CONN. | RJ45 8P8C PLUG, CONTACT:GOLD PLATED 15μ" |
| 3 | BOOT-P2 | LDPE |
| 4 | BOOT-P2 | PVC GRAY SNAGLESS STRAIGHT CONNECTOR |
| 5 | BOOT-P1 | PVC GRAY DOWN ANGLE CONNECTOR |
| 6 | CONSTRUCT. | CABLE WITH NO OVERALL SHIELD AND 4 UNSHIELDED STRANDED TWISTED PAIR RoHS COMPLIANT |