



**VIDEO
PRODUCTS
INCORPORATED**

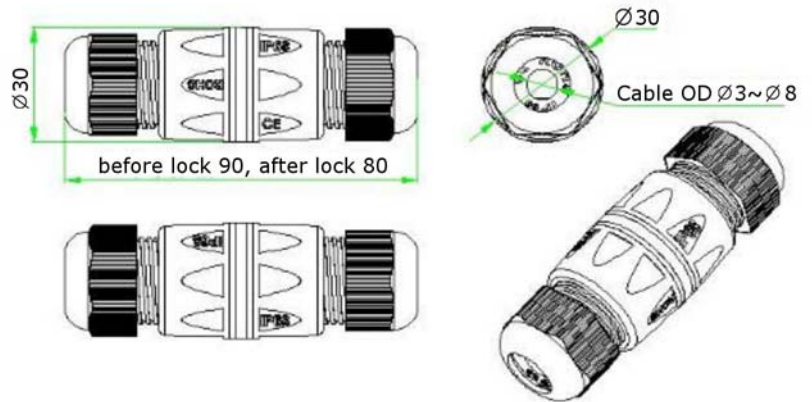
1275 Danner Drive Aurora, Ohio 44202
Tel: 330-562-2622 Fax: 330-562-1999
www.vpi.us

CAT6-WTP-FF-SHLD

Waterproof IP68 Shielded CAT6 RJ45 Female to Female Field Installable Coupler

Features:

- For harsh industrial or outdoor environments.
- Shielded RJ45 female to female field installable coupler.
- Compatible with existing hardware, can be panel mounted.
- Circular threaded coupling assemblies in-line to connect two patch cords together.
- Gasket seals provide IP68 rated water and dust protection.
- RoHS compliant



Specifications:

Water Proof Rating	IP68
Connector	RJ45
Flame rating	UL94V-O
Cable OD	3-8mm
Transfer speed	10baset,100baset, 1000baset
Current Rating	1.5A
Voltage Rating	125VAC
Insulation Resistance	>500MΩ
Withstand Voltage	AC1000V 50/60Hz 1 minute
Contact resistance	<10MΩ
Insert force	900g
Lifetime	>750 times
Shell material	Nylon PA66
Contact needle	OD0.5mm Phosphorous Copper
Shield cover	Nickle plated over .25mm copper alloy
Contact plating	Gold 6μ
Waterproof gasket	Silica gel
Operating Temperature	-25° - 85°C
Atmospheric pressure	86~106Kpa
Humidity	≤90% non-condensing

Units: Millimeters