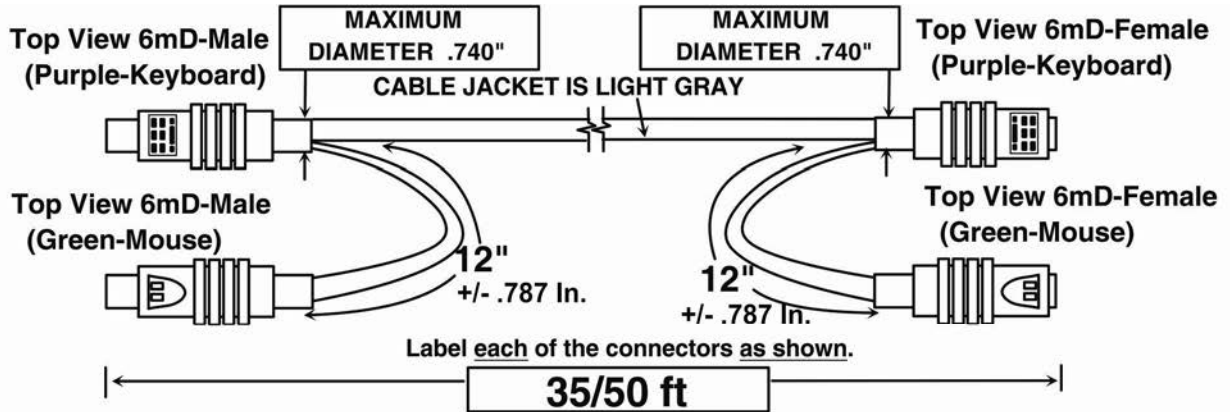


Technical Specifications for the VVKEXT-35,50
 For extending PS/2 keyboard and mouse

6/14/21



Tolerance:
 35 Ft +/- 3 In.
 50 Ft +/- 3 In.

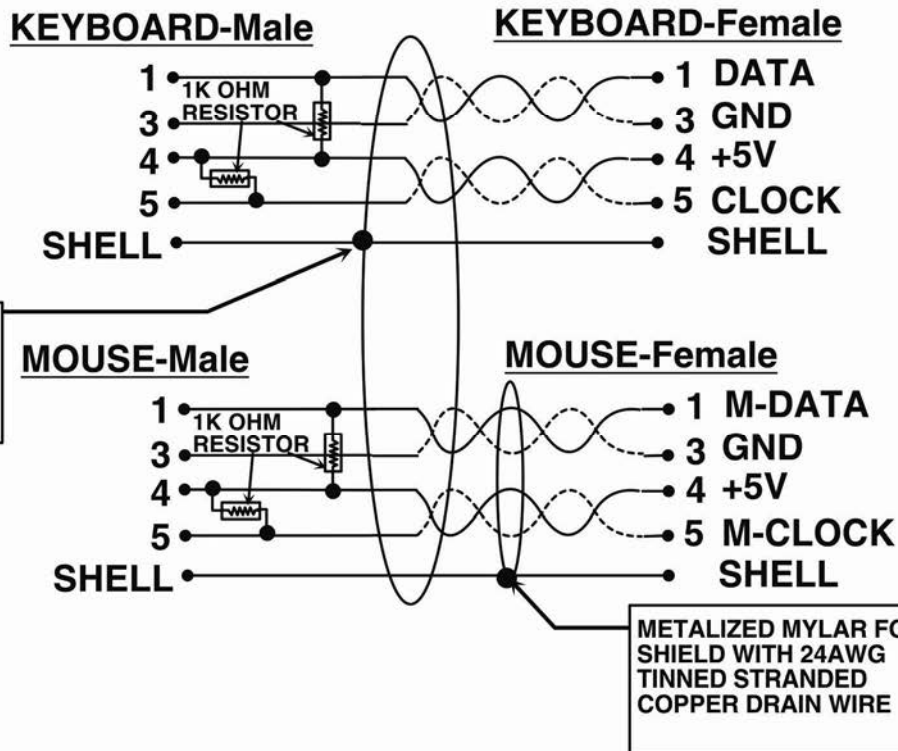
- CABLE INCLUDES**
- 4- 24 AWG STRANDED TWISTED PAIR
 - OVERALL METALIZED MYLAR FOIL SHIELD
 - 24 AWG TINNED STRANDED COPPER DRAIN WIRE
 - LIGHT GRAY CABLE JACKET
 - FULLY MOLDED PURPLE 6miniDIN KEYBOARD CONNECTORS
 - FULLY MOLDED GREEN 6miniDIN MOUSE CONNECTORS

NOTE: EACH 6 PIN miniDIN MOUSE CABLE MUST BE 12" IN LENGTH

THE 1K OHM RESISTORS ARE MOLDED INTO EACH 6 miniDIN CONNECTOR AT THE MALE CONNECTOR ENDS ONLY

METALIZED MYLAR FOIL SHIELD WITH 24AWG TINNED STRANDED COPPER DRAIN WIRE

THE DRAIN WIRE OF THE OVERALL SHIELD IS CONNECTED TO THE METAL SHELL AT EACH END OF EACH CABLE



METALIZED MYLAR FOIL SHIELD WITH 24AWG TINNED STRANDED COPPER DRAIN WIRE