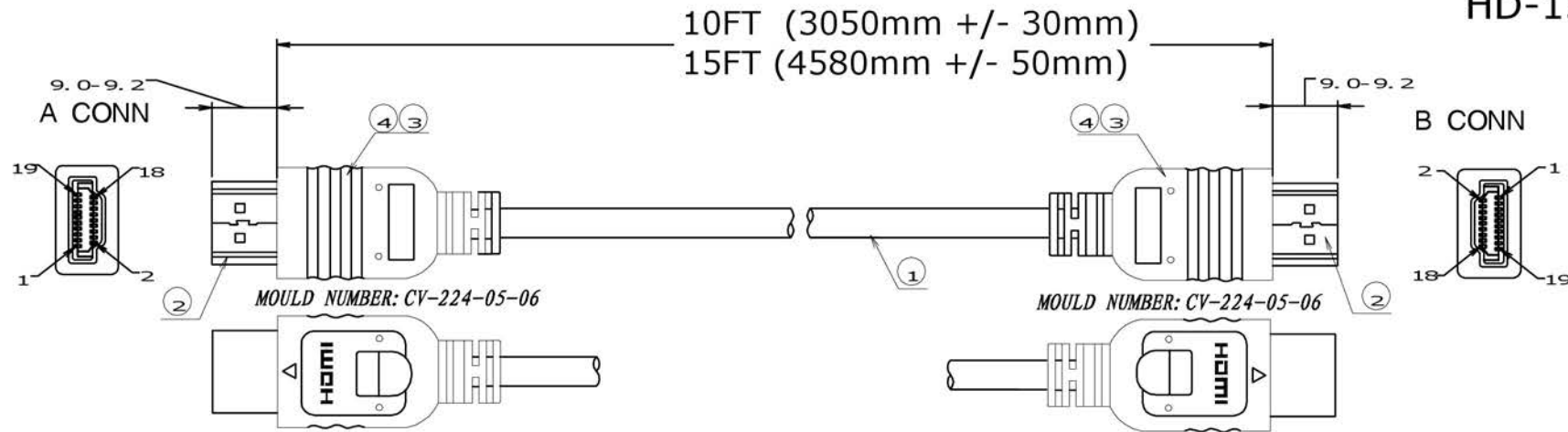


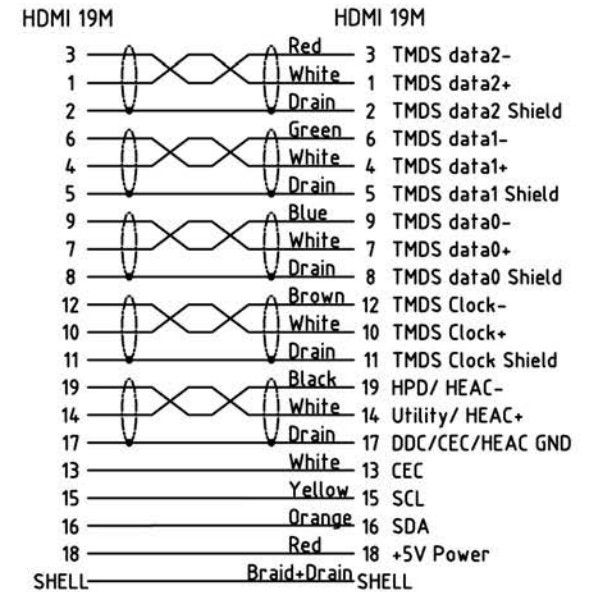
VPI P/N: HD-10-MM  
HD-15-MM



**Electrical Testing:**

Voltage : DC 300V/ 10ns  
Insulation Resistance :  $\geq 10M\Omega$   
Conductor Resistance:  $\leq 3\Omega$

**PIN ASSIGNMENT(1.4v)**



No.	Part	Description
①	Wire	UL20276 [1P*30#(7/0.10TA) + D(7/0.10TA) + AL + MY]*5C +30#(7/0.10TA)*5C+AL+D(7/0.10TA)+B(50% AL B HDMI V1.4 OD:7.3 BLACK
②	Conn	HDMI-19P(M) Gold Plated (RoHS)
③	Internal model	Transparent PE (RoHS)
④		Black PVC (RoHS)

Units: Millimeters

**VPI** VIDEO PRODUCTS INCORPORATED

1275 Danner Drive Aurora, Ohio 44202  
Tel: 330-562-2622 Fax: 330-562-1999  
www.vpi.us