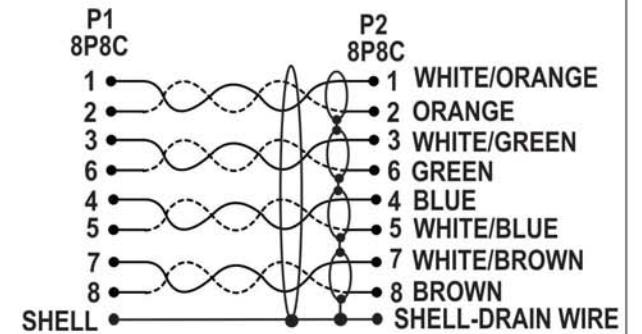


RJ45 M ale(Shield)

Length-Ft (mm)	Tolerance- +/- In. (mm)
2 (610)	1.18 (30)
5 (1524)	2.36 (60)
7 (2133)	2.36 (60)
16 (4877)	3.14 (80)
50 (15240)	3.14 (80)

PINOUT:



UNITS: Millimeters

OPEN /SHORT TEST : 100% TEST
INSULATION : 5M .

No.	Component	Description
1	CABLE	CAT7 (1P*28 AWG(7/0.12BC)+FOIL)*4+DRAIN+BRAID ,PVC JACKET, O.D.=6.1mm, GRAY,75°C
2	CONN.	RJ45 8P8C PLUG, LONG TYPE, COPPER SHELL: GOLD FLASH, CONTACT:GOLD PLATED 50μ"
3	BOOT	PVC GRAY 70P , SNAGLESS
4	CONSTRUCT.	CABLE WITH OVERALL BRAIDED SHIELD AND 4 MYLAR FOIL SHIELDED STRANDED TWISTED PAIR RoHS COMPLIANT
5	MARKING ON JACKET	PATCH CORD 28AWG 4PR SSTP <UL FILE #> 75°C CM(UL) <CSA FILE#> CSA AWM I/II A 80°C FT2 ETL VERIFIED TO EIA/TIA 568B CAT7



1275 Danner Drive Aurora, Ohio 44202
Tel: 330-562-2622 Fax: 330-562-1999
www.vpi.us