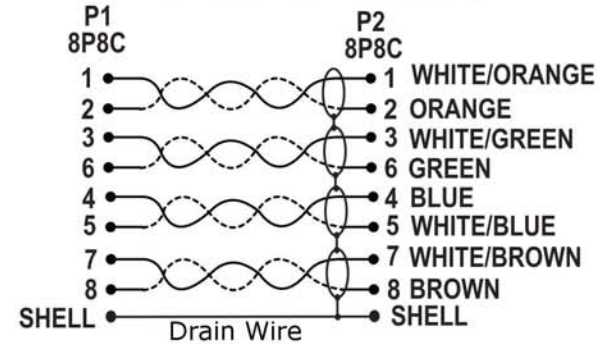


Length-Ft (mm)	Tolerance-+/-In. (mm)
2 (610)	1.18 (30)
5 (1524)	2.28 (60)
25 (7620)	3.937/-2.37(100/60)

**PINOUT: (TIA/EIA 568B Standard)**



UNITS: Millimeters

No.	Component	Description
1	CABLE	CAT6 FLAT 4P*28 AWG(7/0.12BC)+AL*4+DRAIN,PVC JACKET, O.D.=3.6*8.8mm, BLACK
2	CONN.	RJ45 8P8C PLUG,SHELL:NICKEL PLATED, CONTACT:GOLD PLATED 3μ"
3	BOOT	BLACK PVC, SNAGLESS
4	BOOT	LDPE
5	CONSTRUCT.	CABLE WITH NO OVERALL SHIELD BUT WITH INDIVIDUAL FOIL SHIELDED STRANDED TWISTED PAIR AND DRAIN WIRE RoHS COMPLIANT



**VIDEO PRODUCTS INCORPORATED**

1275 Danner Drive Aurora, Ohio 44202  
 Tel: 330-562-2622 Fax: 330-562-1999  
 www.vpi.us