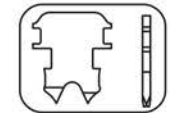
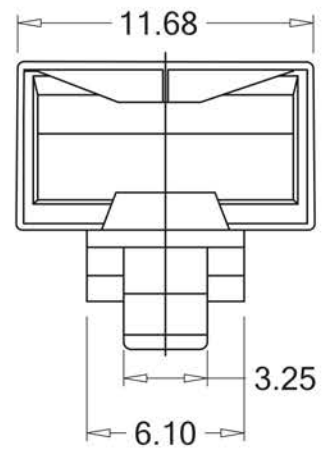
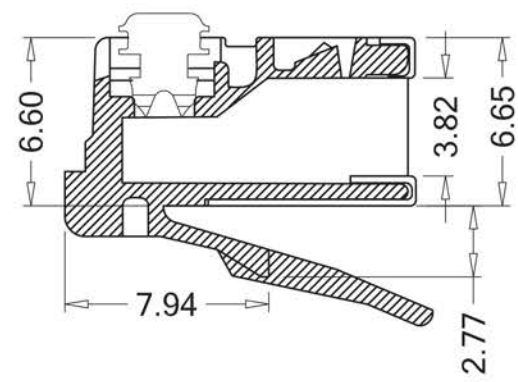
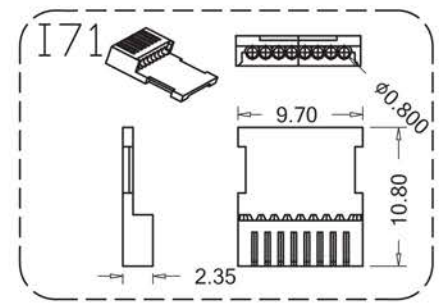
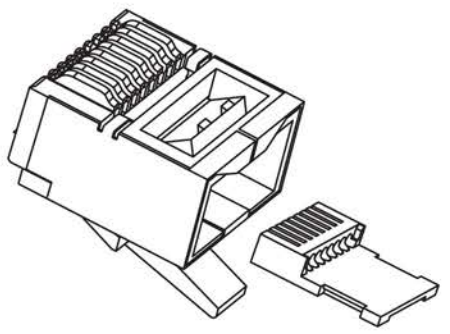
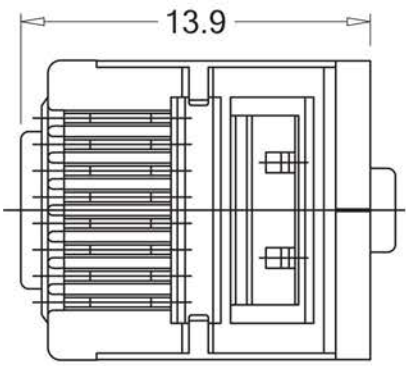


VPI P/N: RJ45-PLG2-FLT-SHLD



for stranded wire

Units: Millimeters

Electrical:

1. Voltage rating : 125 VAC RMS .
2. Current rating : 1.5 A .
3. Contact resistance : 50 milliohms max.
4. Insulation resistance : 1000 megaohms min @ 500 VDC.
5. Dielectric strength : 1000 VAC RMS 50Hz, 1MIN.

Material & finish:

Housing: PC, clear  
 Contact : copper alloy plated with gold

Operating temperature:-40 °C to +80 °C



1275 Danner Drive Aurora, Ohio 44202  
 Tel: 330-562-2622 Fax: 330-562-1999  
 www.vpi.us