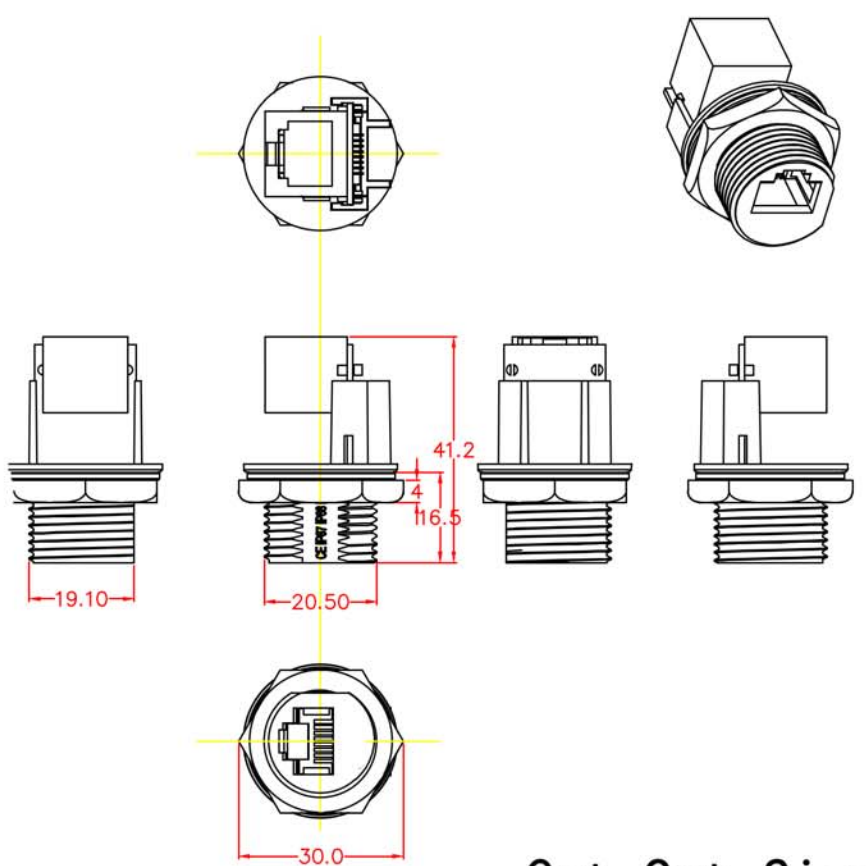
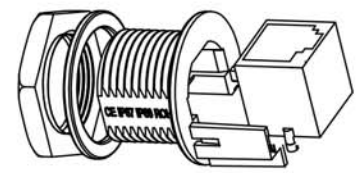
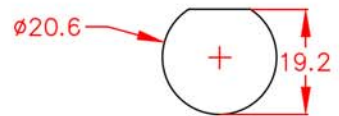


VPI P/N: RJ45-5EWTP-CS-JCK-UA



Cut-Out Size



Connector Body: Nylon+GF
 Contact: Brass with Gold plated
 Gasket: Silicon gel
 Specification:
 Contact numbers: 8
 Connector Type: Female Panel Front Mount
 Contact Resistance: <10mohm
 Insulation Resistance: 20Mohm at 500V
 Breakdown Voltage: 300V/1minute
 Temperature Rating: -40°C --+105°C
 Waterproof rating: IP67
 Durability(Plug/Unplug) : 3000times
 Torque specification: 2.46 Nm

UNITS: Millimeters

VPI VIDEO PRODUCTS INCORPORATED
 1275 Danner Drive Aurora, Ohio 44202
 Tel: 330-562-2622 Fax: 330-562-1999
 www.vpi.us