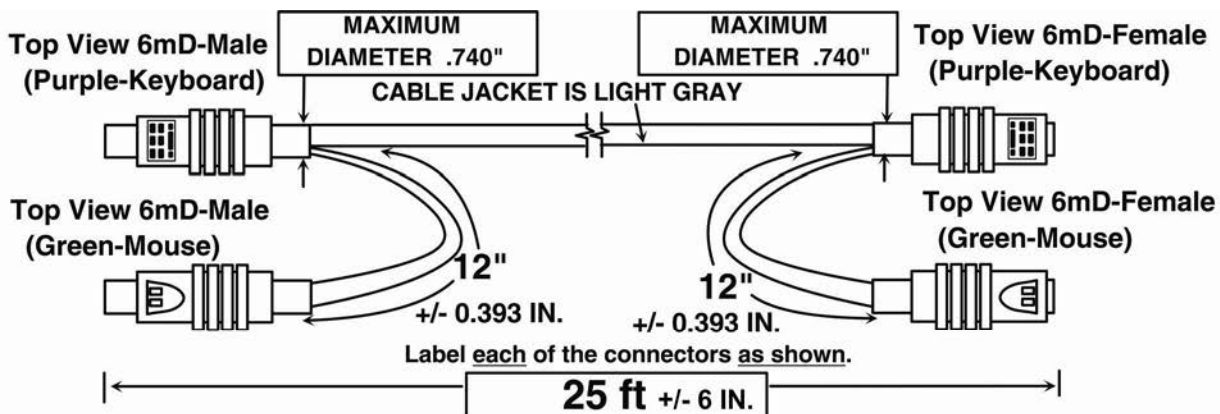




Technical Specifications for the VVKINT-25 For extending PS/2 keyboard and mouse (NTI# CB4192)

10/14/20

CUSTOMER SPEC



- CABLE INCLUDES**
- 4- 28 AWG STRANDED TWISTED PAIR
 - OVERALL METALIZED MYLAR FOIL SHIELD
 - 24 AWG TINNED STRANDED COPPER DRAIN WIRE
 - LIGHT GRAY CABLE JACKET
 - FULLY MOLDED PURPLE 6miniDIN KEYBOARD CONNECTORS
 - FULLY MOLDED GREEN 6miniDIN MOUSE CONNECTORS
 - ALL MATERIALS MUST COMPLY WITH RoHS

NOTE: EACH 6 PIN miniDIN MOUSE CABLE MUST BE 12" IN LENGTH +/- 0.393 IN.

