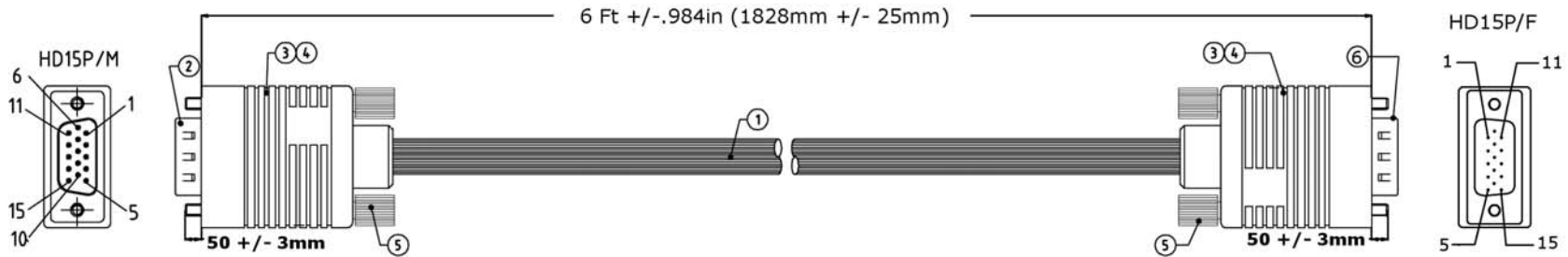


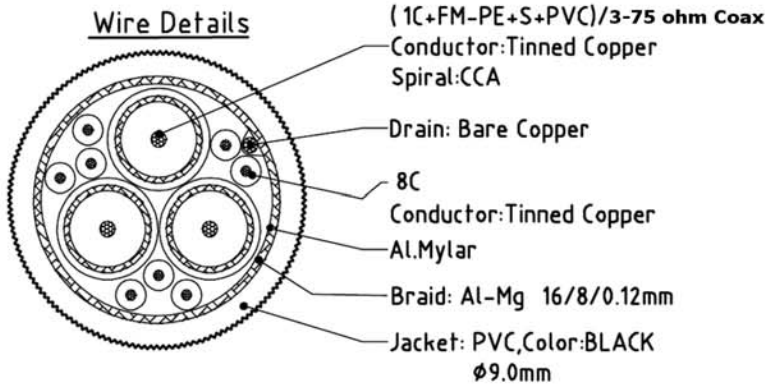
NOTE: ALL MATERIAL COMPLIANT ROHS STANDARD

VPI P/N: VEXT-6

BI

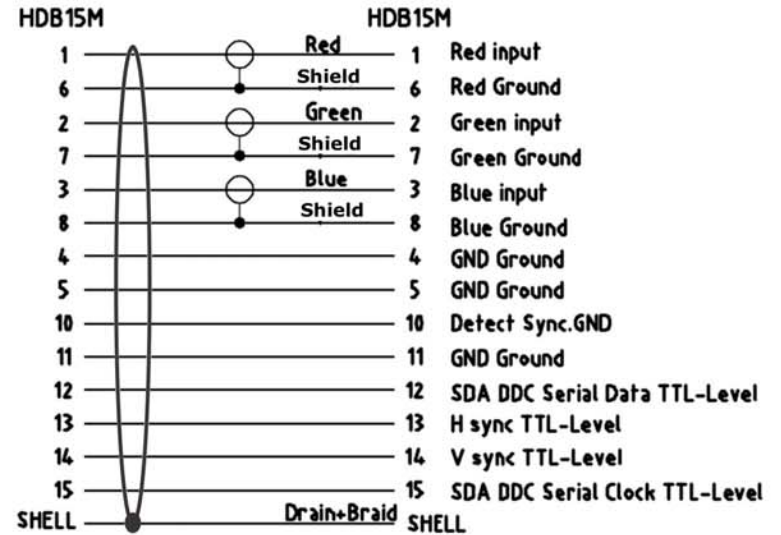


Wire Details



Marking: (White)
AWM 20276 80°C 30V VW-1 V.G.A
LOW VOLTAGE COMPUTER CABLE

PIN ASSIGNMENT:



①	Cable	UL20276 3-75 ohm Coax+8C+A+D+B+PVC,OD:9.0mm,Black
②	Conn	HD15P:Male,Insulation:Blue, Shell:Nickel Plated
③	Innermold	PE,Low Density
④	Overmold	PVC,45Pa, Black
⑤	Thumbscrew	#4-40UNC,dia. 2.3*(L)42.9mm,Nickel Plated, Molding PVC(Black)
⑥	Conn	HD15P: Female,Insulation:Blue, Shell:Nickel Plated
NO.	PART NAME	SPECIFICATION DESCRIPTION



VIDEO
PRODUCTS
INCORPORATED

1275 Danner Drive Aurora, Ohio 44202
Tel: 330-562-2622 Fax: 330-562-1999
www.vpi.us