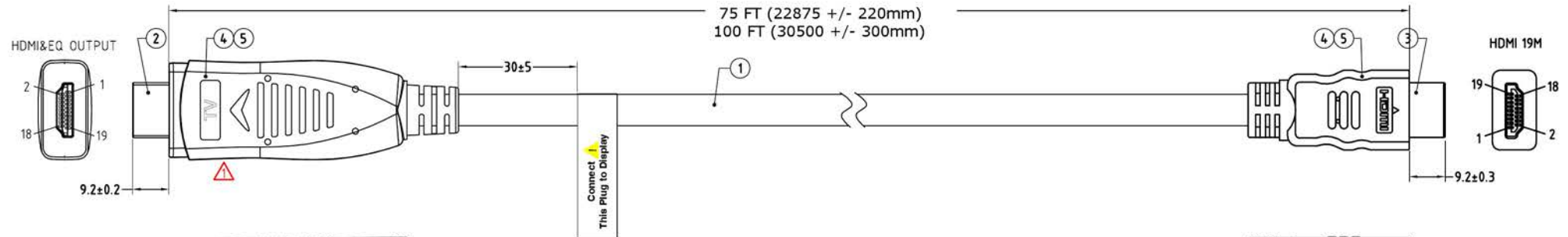


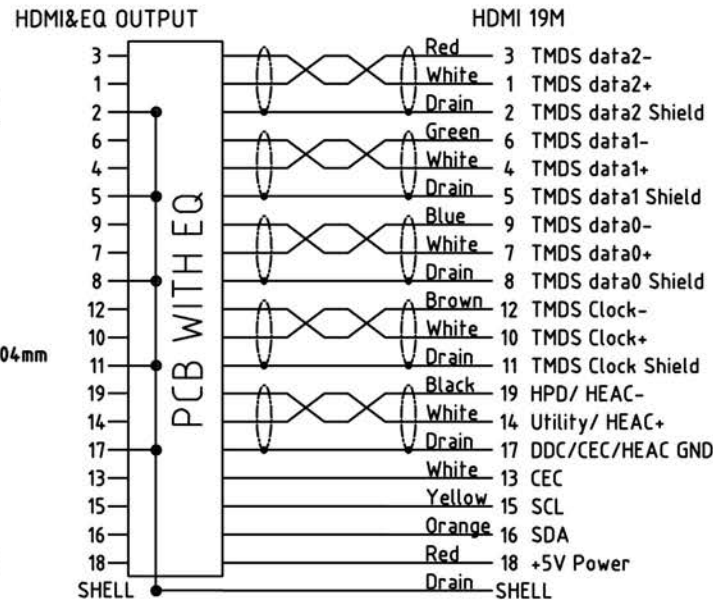
NOTE: ALL MATERIAL COMPLIANT ROHS STANDARD

VPI P/N: HD-75-MM
HD-100-MM

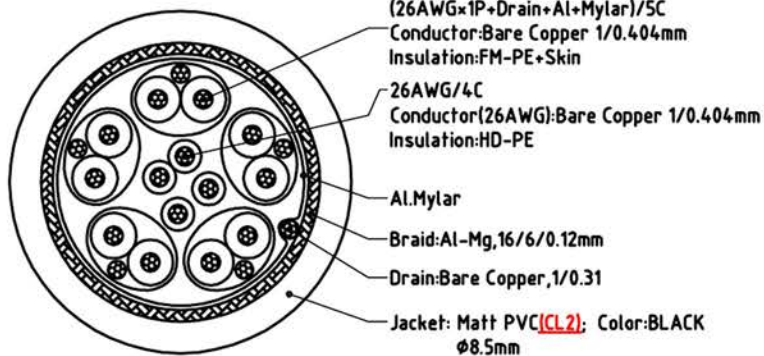


Electrical character:
1/100% 1080P testing

PIN ASSIGNMENT(1.4v)



Wire Details



UNITS: Millimeters

NO.	PART NAME	SPECIFICATION DESCRIPTION
①	Cable	UL20276 (26#BC/1P+ADM)/5C+26#/4C+A+D+B(16/6/0.12,Al-Mg)+PVC(CL2),Black,OD8.5mm
②	HDMI_Conn+PCBA	HDMI A/M(G/F Plated)+PCBA(Max3815)
③	HDMI_Conn	HDMI A/M,PIN G/F,Black Insulation,Steel-Shell(G/F Plated),Solder type
④	Innereold	PE,Low density
⑤	Overmold	PVC,45Pa,Black

VPI VIDEO PRODUCTS INCORPORATED

1275 Danner Drive Aurora, Ohio 44202
Tel: 330-562-2622 Fax: 330-562-1999
www.vpi.us