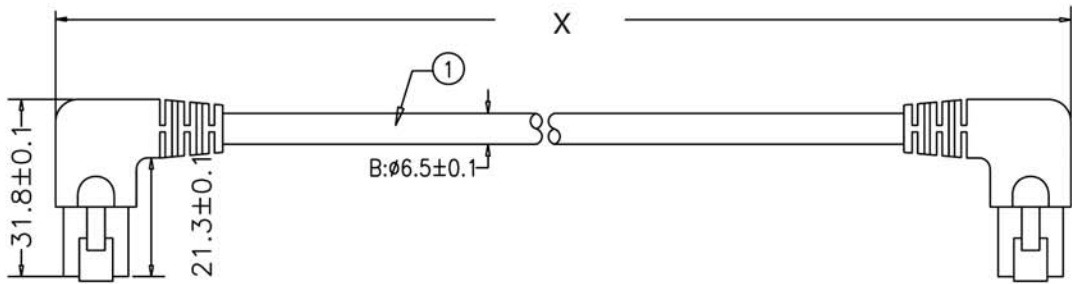
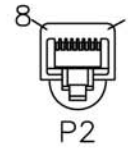
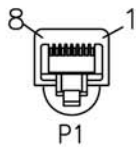


VPI P/N: CAT6-RLA-x-GRAY-SHLD
(x= 2, 3, 6, 7 or 9 Feet)



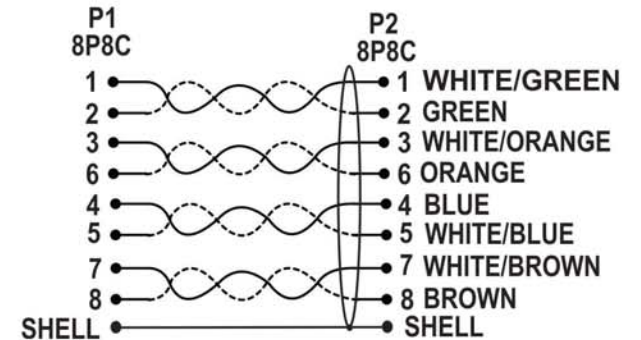
Tolerance:
2-7 feet: +/- 0.787 inch
9 feet: +/- 1.18 inch



RoHS Compliant

NOTE: SHORT AND OPEN 100% TESTING.
CONDUCTOR RESISTANCE 5Ω
INSULATION RESISTANCE $20M\Omega$
HI-POT:DC250V

PINOUT:



NOTE: WIRED TO 568A WIRING STANDARD

Units: Millimeters

| | |
|---|-------------------------------------------------|
| 3 | OUTER JACKET PVC 60Pa GRAY(2001) ROHS |
| 2 | RJ45 8P8C STP ROHS |
| 1 | CAT.6 FTP 24awgx4P STRANDED GRAY(2001) OD:6.5MM |

VPI VIDEO PRODUCTS INCORPORATED

1275 Danner Drive Aurora, Ohio 44202
Tel: 330-562-2622 Fax: 330-562-1999
www.vpi.us