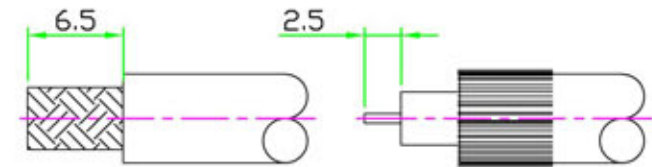
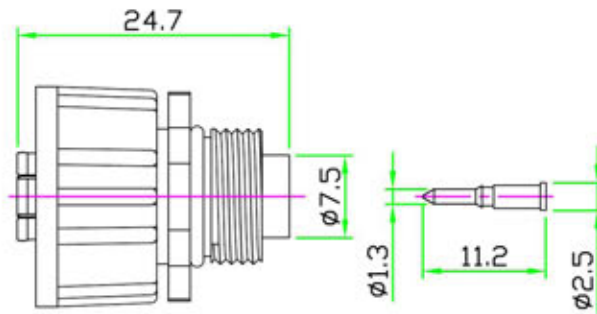
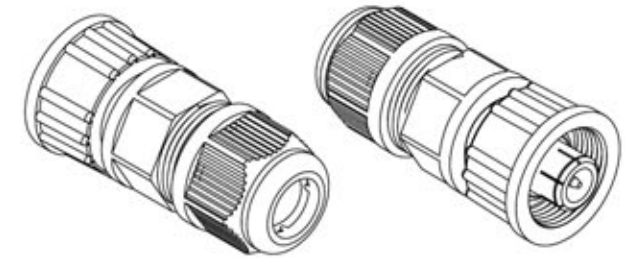
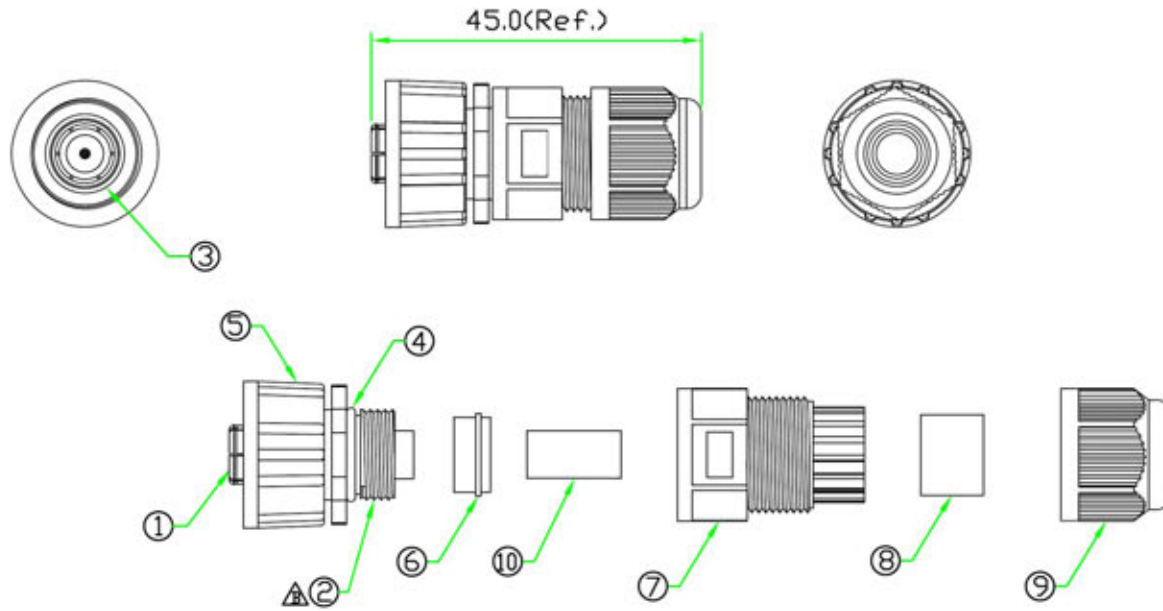


RoHS

IP67~68

VPI P/N: BNC-RG59-CRP-WTP



RECOMMENDED
CABLE STRIPPING DIM'S

	UNIT: mm
SCALE	1:1
UNLESS OTHERWISE SPECIFIED TOLERANCES:	
.x	± 0.25 .xx ± 0.1
.xxx	± 0.05 ANGLE ± 1°

10	FERRULE	Brass, Nickel Plated.		1
9	CLAMP NUT	NYLON.	BLACK	1
8	TUBE	RUBBER.	BLACK	1
7	HOOD	NYLON.	BLACK	1
6	GASKET	RUBBER.	BLACK	1
5	SCREW NUT	NYLON+GF.	BLACK	1
4	O-RING	NBR.	BLACK	1
3	O-RING	VITON.	BLACK	1
2	CONNECTOR	Connector Insert. NYLON+GF.	BLACK	1
1	PLUG	BNC Male Connector. CRIMP TYPE.		1
No.	PART NAME	DESCRIPTION	COLOR	Q'TY



VIDEO
PRODUCTS
INCORPORATED

1275 Danner Drive Aurora, Ohio 44202
Tel: 330-562-2622 Fax: 330-562-1999
www.vpi.us