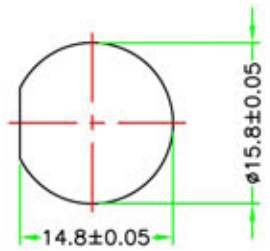
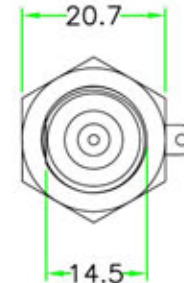
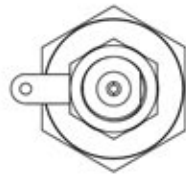
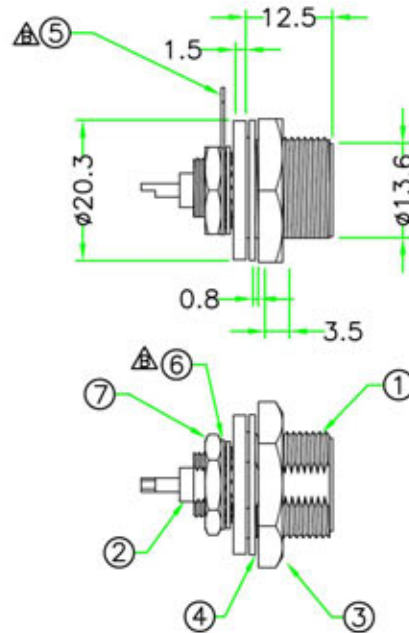


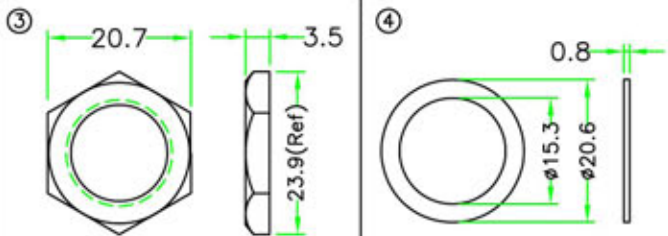
VPI P/N: BNC-WTP-FS-CS



RECOMMENDED
PANEL CUT-OFF



RoHS



	UNIT: mm
	SCALE 1:1
UNLESS OTHERWISE SPECIFIED TOLERANCES:	
x	±0.25 xx ±0.1
xxx	±0.05 ANGLE ±1°x

No.	PART NAME	DESCRIPTION	COLOR	Q'TY
7	HEX NUT	STEEL. NICKEL PLATED.		1
6	WASHER	STEEL. NICKEL PLATED.		1
5	GROUND TAG	STEEL. NICKEL PLATED.		1
4	GASKET	EPDM.	BLACK	1
3	HEX NUT	NYLON+GF.	BLACK	1
2	BNC	BNC JACK.		1
1	BNC INSERT	Panel Connector Insert, NYLON+GF.	BLACK	1

VPI VIDEO
PRODUCTS
INCORPORATED

1275 Danner Drive Aurora, Ohio 44202
Tel: 330-562-2622 Fax: 330-562-1999
www.vpi.us