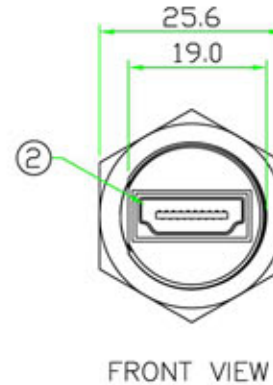
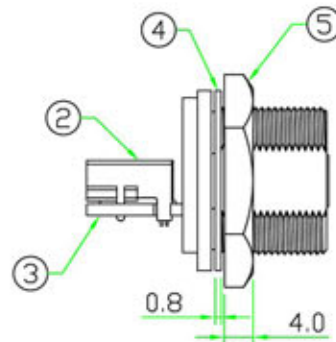
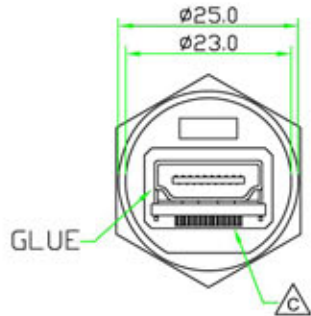
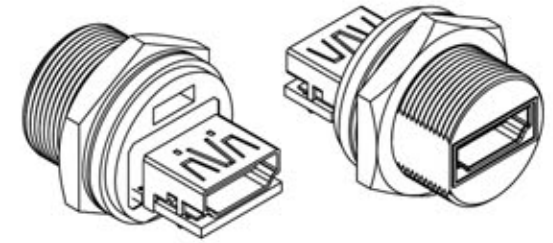
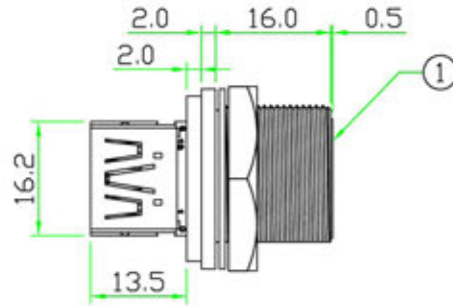


RECOMMEND  
PANEL CUT OUT

RoHS

IP66-68



NOTES:

1. ELECTRICAL CHARACTERISTICS:

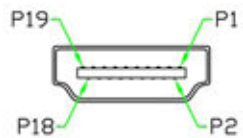
CURRENT RATING: 0.5A

CONNECTOR TEMPERATURE RANGE: -25°C TO +85°C

DIELECTRIC WITHSTANDING VOLTAGE:

500V AC FOR ONE MINUTE

2. PANEL THICKNESS MAX. 6.0mm



PIN ASSIGNMENT  
FRONT VIEW

	UNIT: mm
	SCALE 1:1
UNLESS OTHERWISE SPECIFIED TOLERANCES:	
x	± 0.5 xx ± 0.25
xxx	± 0.1 ANGLE ± 1°

5	HEX NUT	Nylon+GF.	BLACK	1
4	GASKET	EPDM.	BLACK	1
3	PCB	FR4 . Double Side, 1.6mm Thickness.		1
2	CONNECTOR	HDMI A Type Female S/T PCB Connector.		2
1	BODY	HDMI A Type Female Connector Body. Nylon+GF.	BLACK	1
No.	PART NAME	DESCRIPTION	COLOR	Q'TY