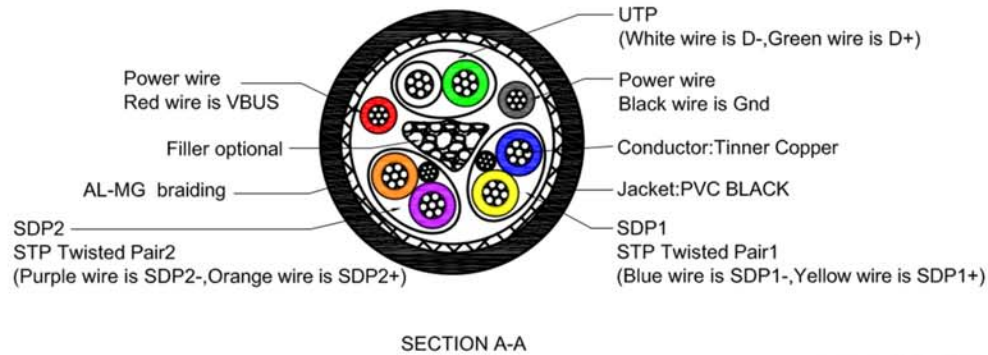
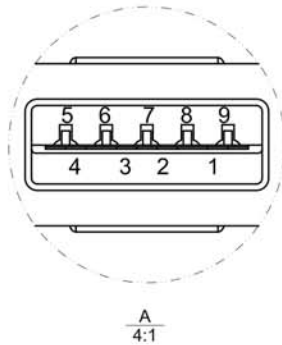
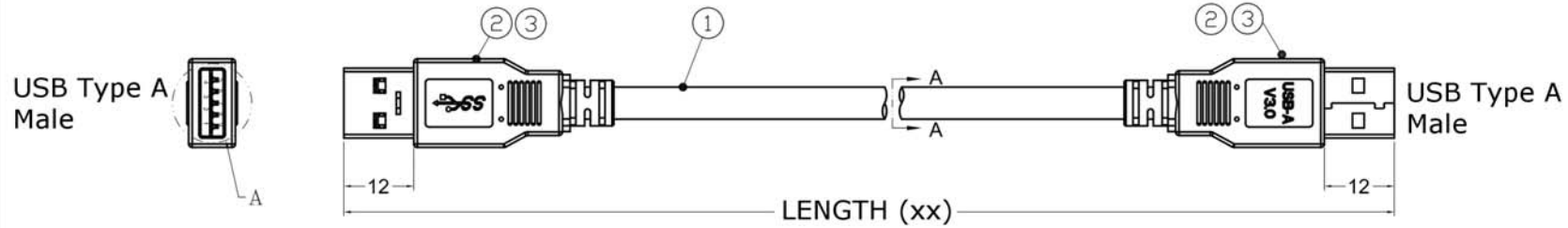


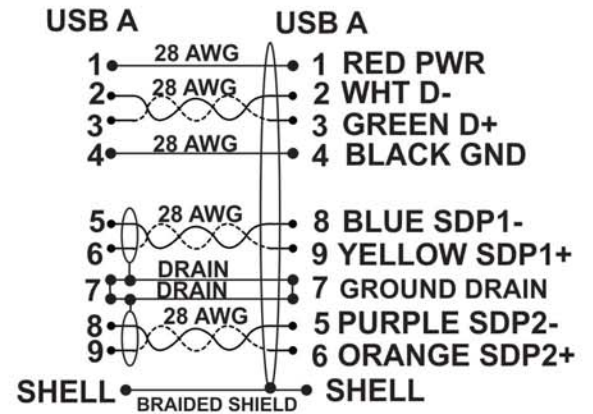
B1 Customer Spec

VPI P/N: USB3-AA-xx-MM-K
(xx= 3,6 or 10 Feet)



UNITS: Millimeters

PIN ASSIGNMENT:



No.	Component	Description
1	CABLE	UL2725 USB3.0 CABLE, 28AWG*1TP+28AWG*2C+ (28AWG*1TP+DRAIN+AL-MYLAR)*2 + AL FOIL + BRAID, BLACK PVC JACKET
2	CONNECTOR	STRAIGHTUSB3.0 TYPE A MALE, BLUE INSULATOR, TERMINAL: PHOSPHOR BRASS, PLATED GOLD FLASH
3	MOLD	BLACK PVC
4	CONSTRUCT.	USB 3.0 COMPLIANT, DRAIN WIRE CONNECTED TO METAL SHELL AT EACH END, ALL MATERIALS ARE RoHS COMPLIANT
5	JACKET MARKINGS	USB 3.0 CABLE 28AWG AWM <UL FILE #> F5 STYLE 2725 80°C 30V VW-1

VPI VIDEO PRODUCTS INCORPORATED

1275 Danner Drive Aurora, Ohio 44202
Tel: 330-562-2622 Fax: 330-562-1999
www.vpi.us