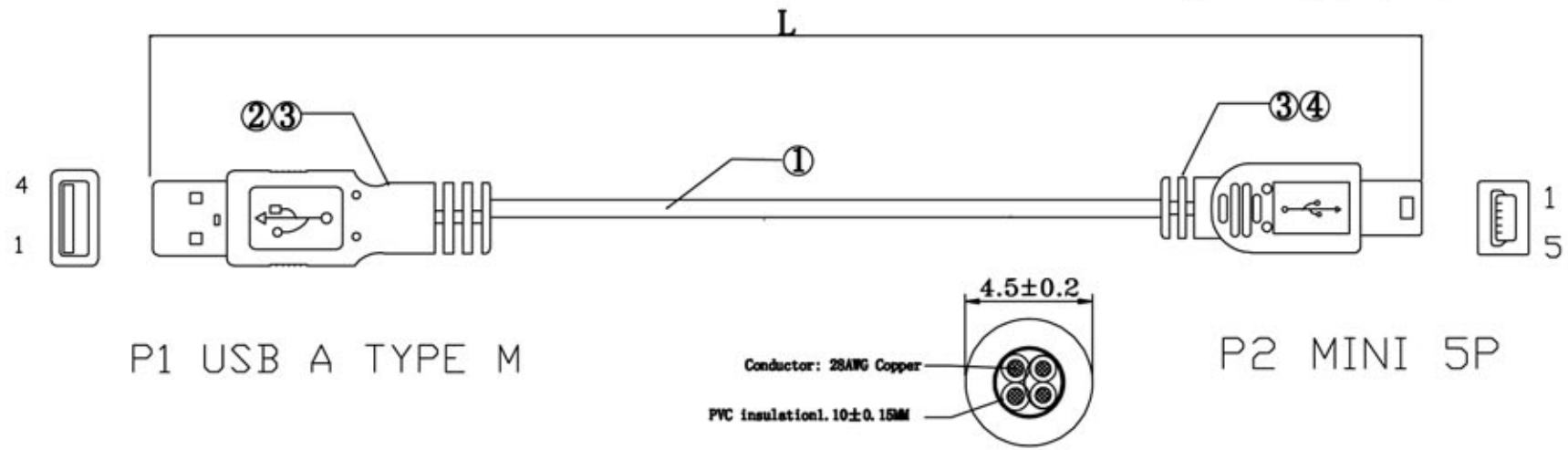
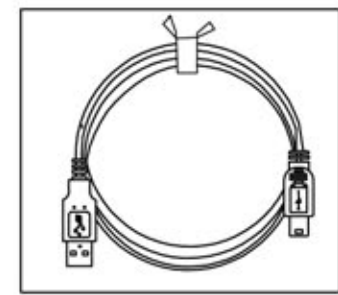
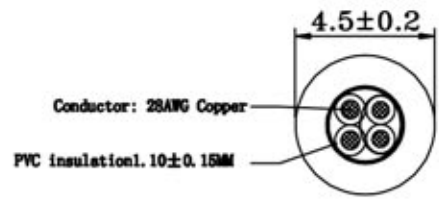


VPI P/N: USB2-ABM5-xx-MM
 (xx= 1/3/6/10/15 feet)



P1 USB A TYPE M

P2 MINI 5P



UNITS: Millimeters

No	Item	Detail	UNIT	QTY
1	Wire	28AWG 28AWG, 64B OD:4.5 Black/Ivory/Clear	PCS	1
2	Connector	USB AM 3 Pieces	PCS	1
3	Outer Molding	PVC 45P Black	PCS	1
4	Connector	USB MINI 5P	PCS	1

Wire point		
P1		P2
1	Red	1
2	White	2
3	Green	3
4	Black	4
5	Drain	5

VPI VIDEO PRODUCTS INCORPORATED
 1275 Danner Drive Aurora, Ohio 44202
 Tel: 330-562-2622 Fax: 330-562-1999
 www.vpi.us