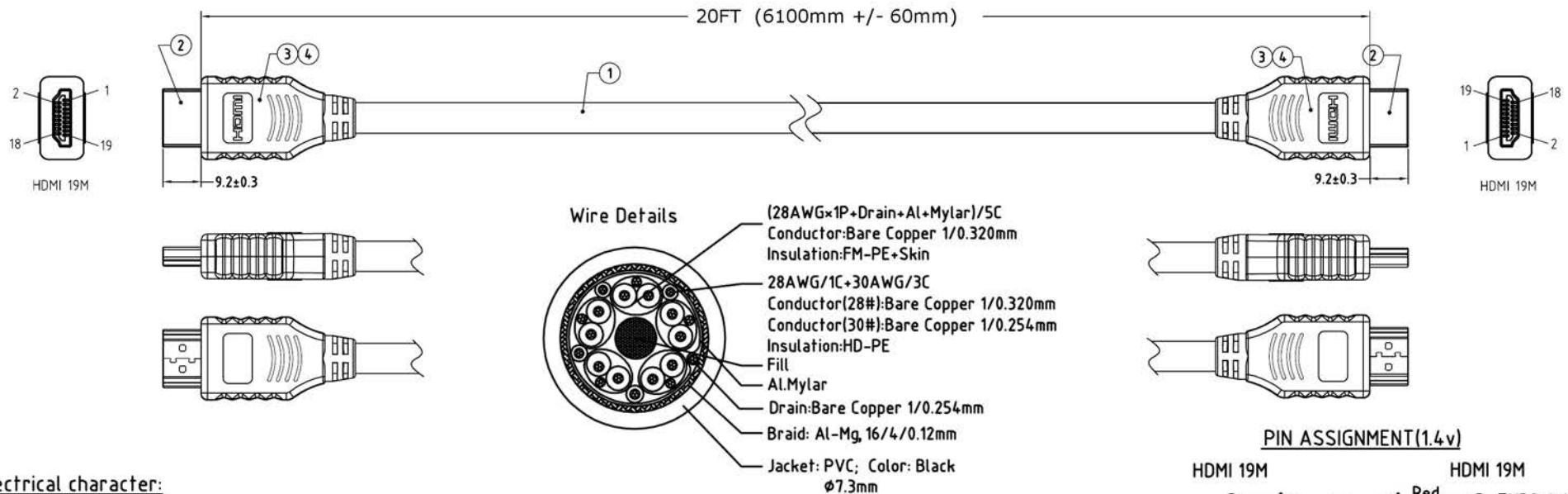


NOTE: ALL MATERIAL COMPLIANT ROHS STANDARD

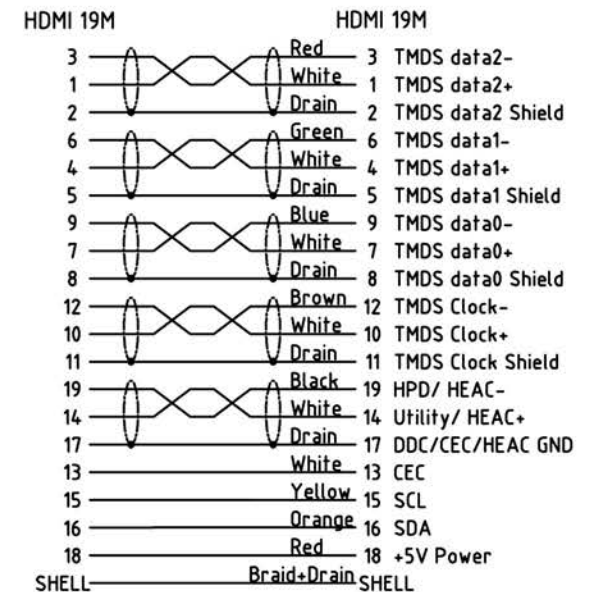
VPI P/N: HD-20-MM



**Electrical character:**

- 1) 100% Open/short/Intermittent testing
- 2) Withstanding voltage: DC 300V AT 10ms.
- 3) Insulation resistance: 10M Ohm(min)
- 4) Residual operating current:
  - a. <1.M=0.5mA;    b. 1.0~2.0M=1.0mA;
  - c. 2.0~3.0M=2.0mA;    d. 3.0~5.0M=3.0mA;
  - e. 5.0~10M=5.0mA;    f. 10~15M=7.0mA;
- 5) Conductive resistance: 5 Ohm Max

**PIN ASSIGNMENT(1.4v)**



UNITS: Millimeters

NO.	PART NAME	SPECIFICATION DESCRIPTION
④	Overmold	PVC,45Pa,Black
③	Innermold	PE,Low density
②	HDMI_Conn	HDMI A/M,PIN G/F,Black Insulation,Steel-Shell(G/F Plated),Solder type
①	Cable	UL20276 (28#BC/1P+ADM)/5C+28#BC/1C+30#BC/3C+F+A+D+B(16/4/0.12,Al-Mg)+PVC,Black,OD7.3mm

**VPI** VIDEO PRODUCTS INCORPORATED

1275 Danner Drive Aurora, Ohio 44202  
Tel: 330-562-2622 Fax: 330-562-1999  
www.vpi.us