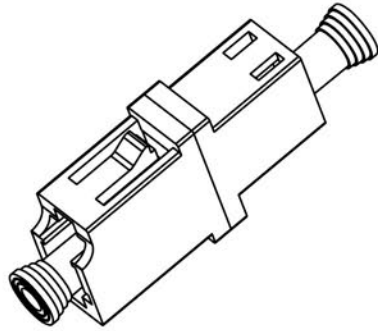


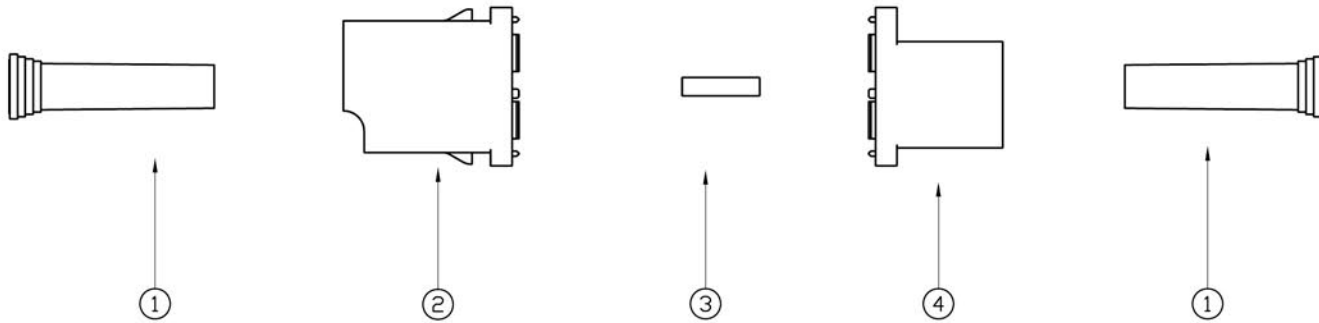
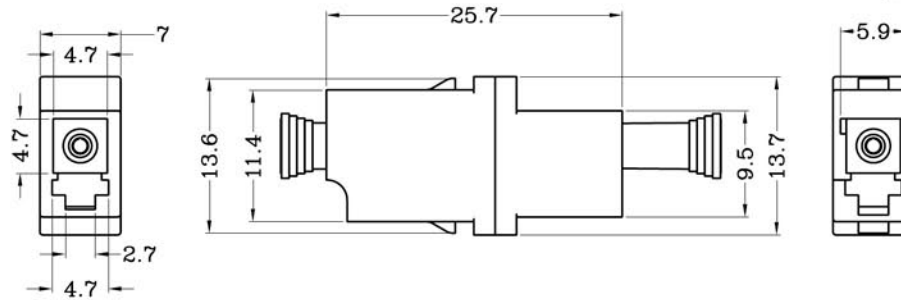
NOTE: ALL MATERIAL COMPLIANT ROHS STANDARD

VPI P/N: FIBER-CPLR-S-LCLC



PART	PAPT NAME	MAT.
1	LC-DUST CAP	PP
2	OUTER HOUSER LC_1	PC
3	SLEEVES LC	CERAMIC
3	OUTER HOUSER LC_1_1	PC

Parameter	LC-LC
Insertion Loss (db)	≤0.25
Mechanical Durability	>500
Sleeve	ZrO2
Operation wavelength	1310nm ~ 1550nm ~ 850nm
Operating Temperature (°C)	-40~+75
Storage Temperature (°C)	-40~+85



UNITS: Millimeters



1275 Danner Drive Aurora, Ohio 44202
 Tel: 330-562-2622 Fax: 330-562-1999
 www.vpi.us