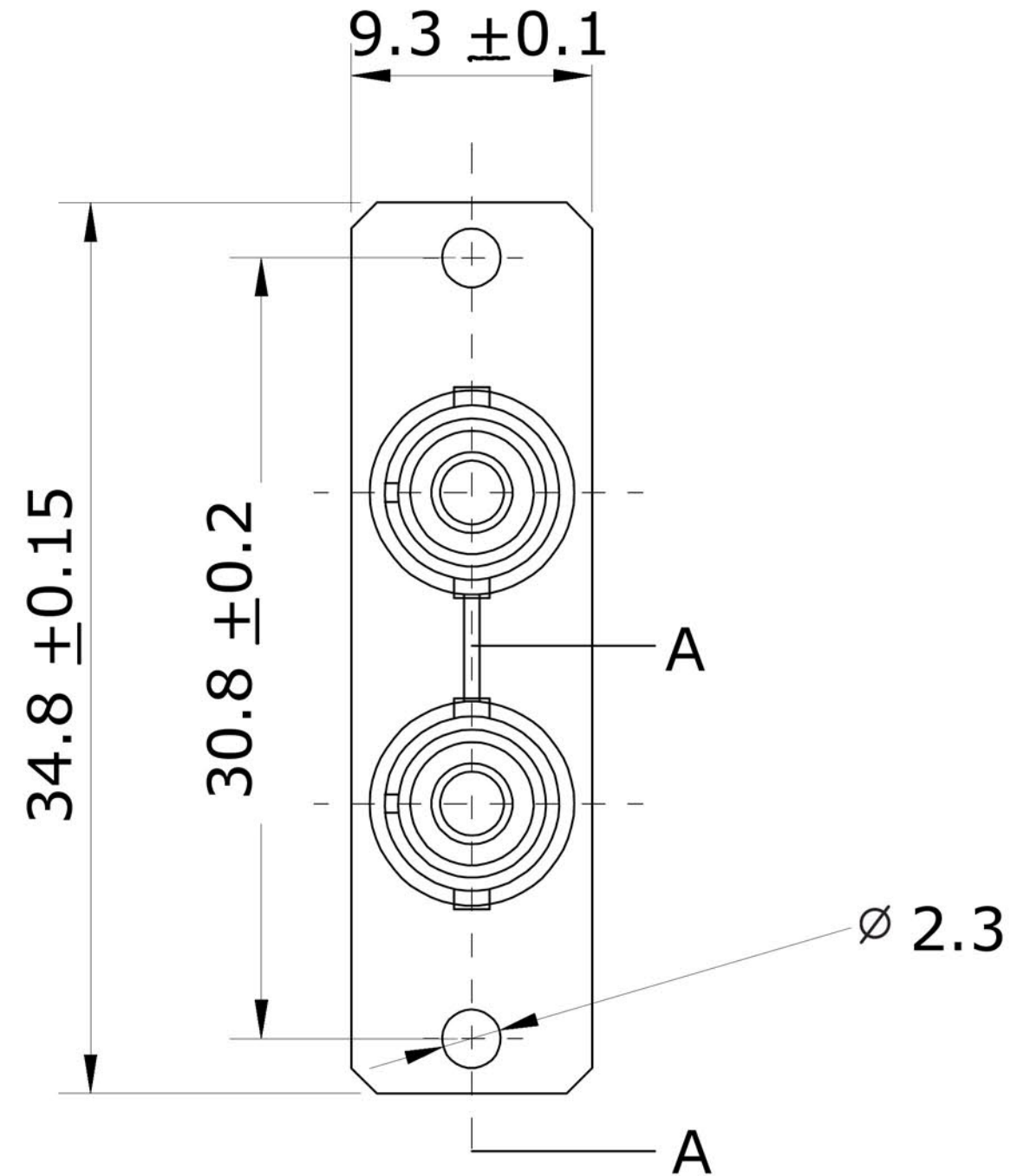
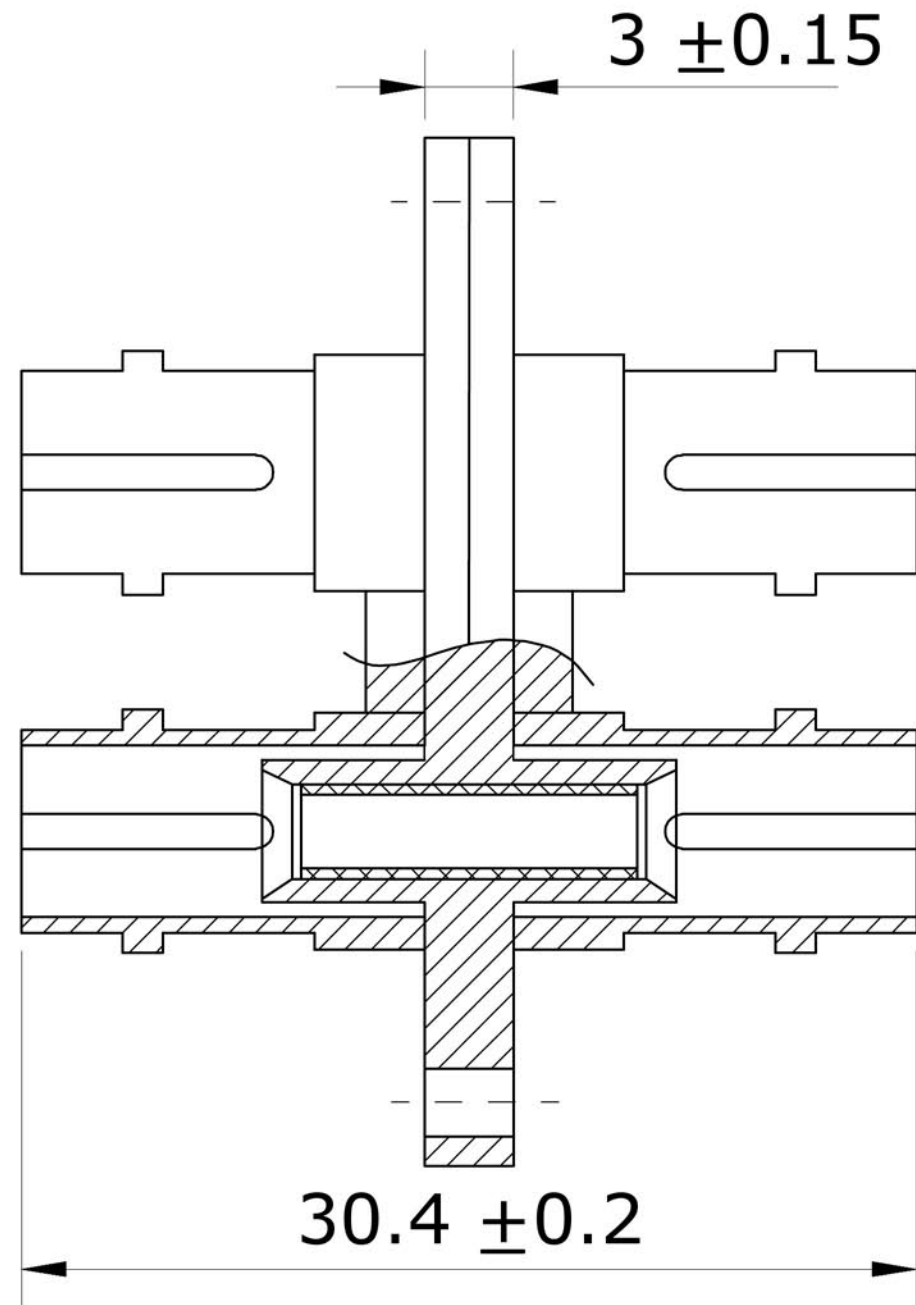


NOTE: ALL MATERIAL COMPLIANT ROHS STANDARD

VPI P/N: FIBER-CPLR-DM-STST



UNITS: Millimeters



VIDEO
PRODUCTS
INCORPORATED

1275 Danner Drive Aurora, Ohio 44202
Tel: 330-562-2622 Fax: 330-562-1999
www.vpi.us