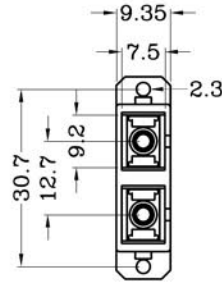
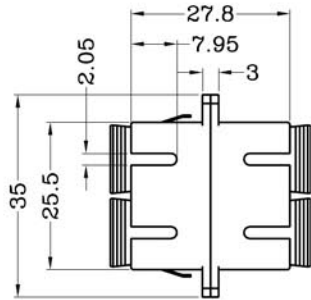
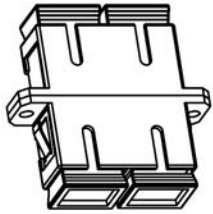


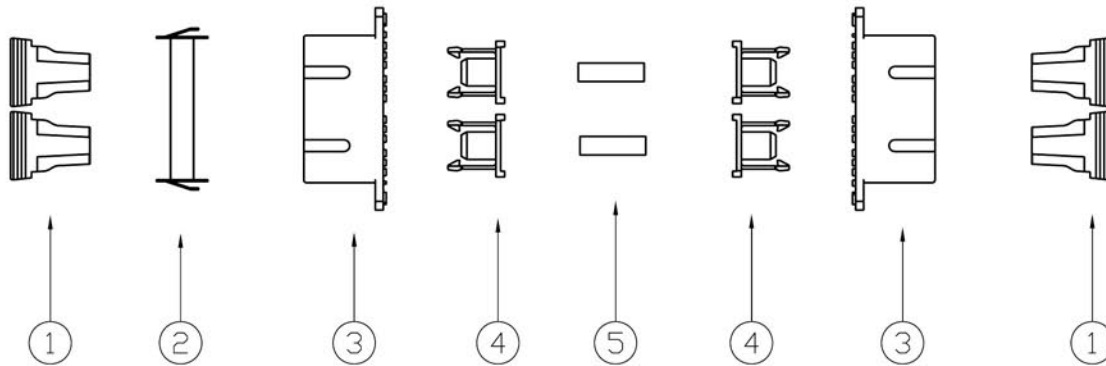
NOTE: ALL MATERIAL COMPLIANT ROHS STANDARD

VPI P/N: FIBER-CPLR-DM-SCSC (Multimode) FIBER-CPLR-DS-SCSC (Singlemode APC)



PART	PAPT NAME	MAT.
1	DUST CAP	PP
2	SHRAPNEL Double	SUS304
3	OUTER HOUSER Double	PC
4	CORE	PET+GF
5	SLEEVES	CERAMIC

Parameter	SC-SC	
	APC	MM
Insertion Loss (db)	≤0.25	≤0.25
Mechanical Durability	>500	
Sleeve	ZrO2	
Operation wavelength	1310nm ~ 1550nm ~ 850nm	
Operating Temperature (°C)	-40 ~ +75	
Storage Temperature (°C)	-40 ~ +85	



UNITS: Millimeters



1275 Danner Drive Aurora, Ohio 44202
Tel: 330-562-2622 Fax: 330-562-1999
www.vpi.us