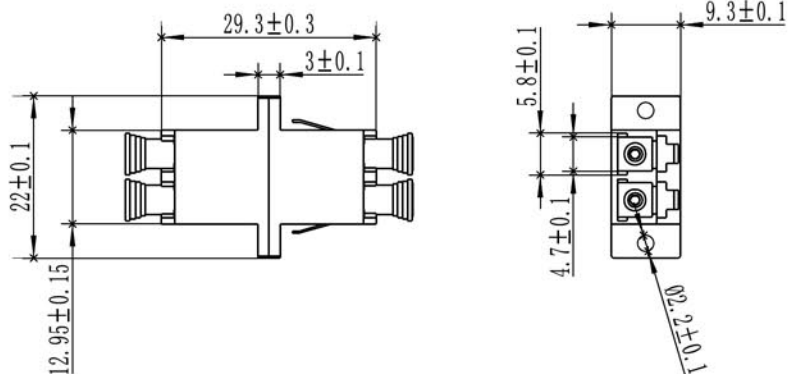
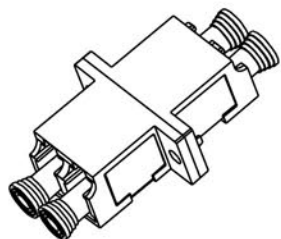
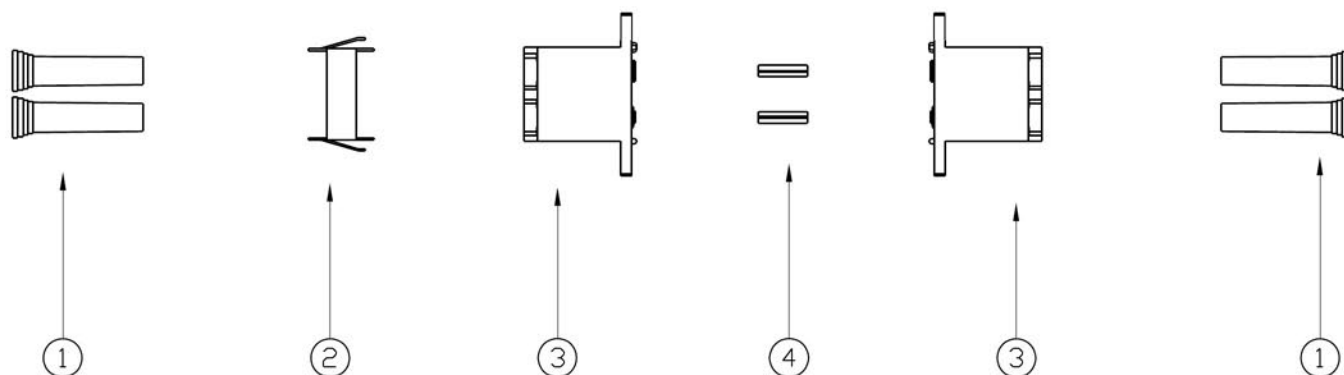


VPI P/N: FIBER-CPLR-DM-LCLC (Multimode)
 FIBER-CPLR-DM-LCLC (Multimode OM3)



PART	PAPT NAME	MAT.
1	LC-DUST CAP	PP
2	SHRAPNEL	SUS304
3	OUTER HOUSER LC 2	PC
4	SLEEVES_LC	CERAMIC

Parameter	LC-LC	
	MM	OM3
Insertion Loss(db)	≤ 0.25	≤ 0.25
Mechanical Durability	> 500	
Sleeve	ZrO2	
Operation wavelength	1310nm ~ 1550nm ~ 850nm	
Operating Temperature(°C)	$-40 \sim +75$	
Storage Temperature (°C)	$-40 \sim +85$	



Units: Millimeters