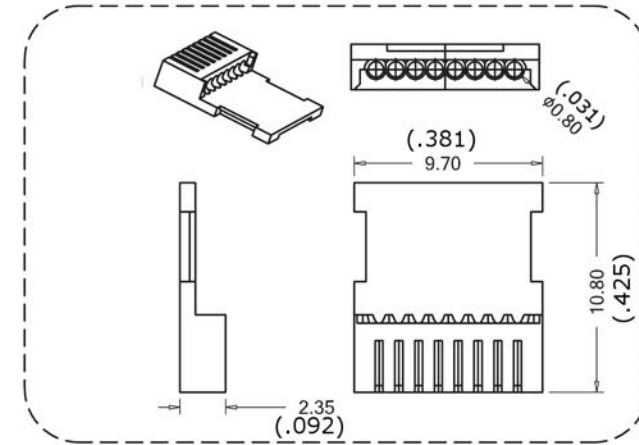
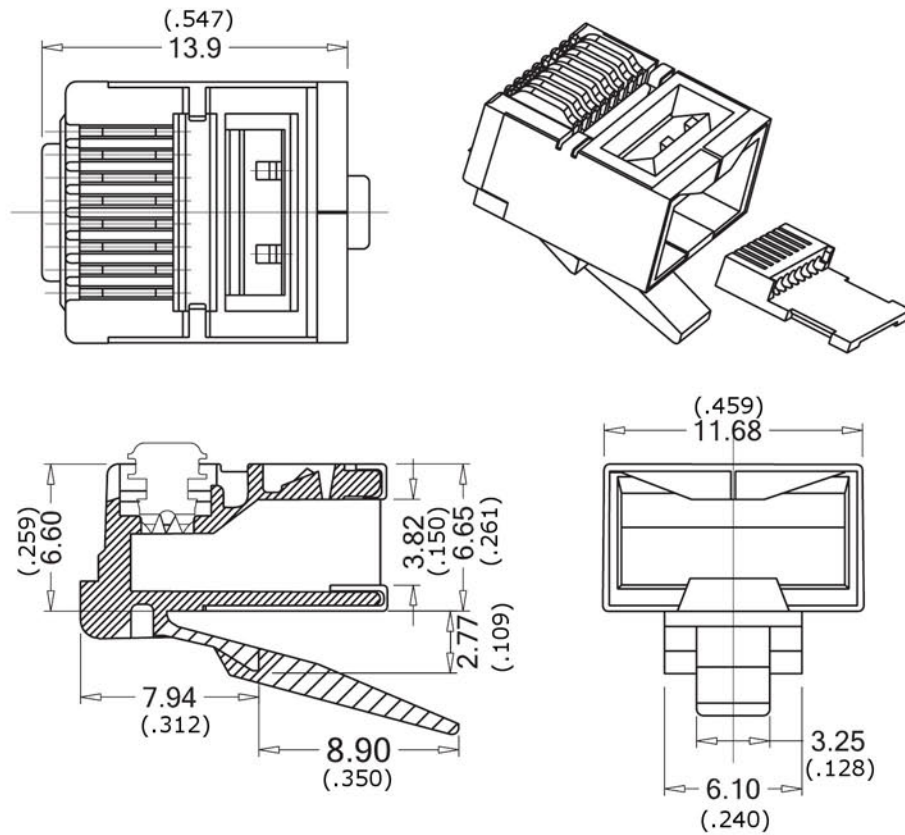


VPI P/N: 7-PLG-FLT



**Electrical:**

1. Voltage rating : 125 VAC RMS .
2. Current rating : 1.5 AMP .
3. Contact resistance : 50 milliohms max.
4. Insulation resistance : 1000 megohms min @ 500 VDC.
5. Dielectric strength : 1000 VAC RMS 50Hz, 1MIN.

**Material & finish:**

Housing: PC. UL94V-2, clean

I71A: PC. UL94V-2, clean

Contact : copper alloy plated with gold

**Operating temperature**

1.-40 °C to +80 °C

Units: Millimeters (Inches)

**VPI** VIDEO  
PRODUCTS  
INCORPORATED

1275 Danner Drive Aurora, Ohio 44202  
Tel: 330-562-2622 Fax: 330-562-1999  
www.vpi.us